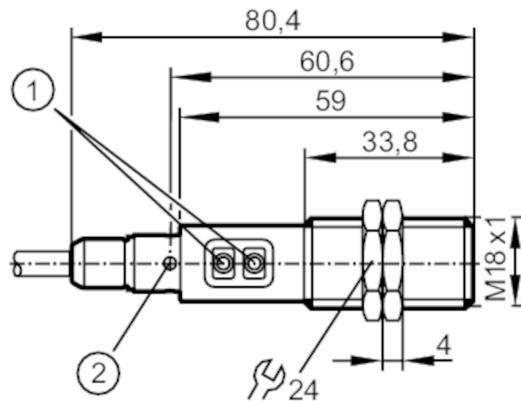


OGT501



Diffuse reflection sensor

OGT-FPKG/2M



- 1 programming buttons
- 2 LED 4 x 90°



Product characteristics

Type of light	red light
Housing	threaded type

Application

Function principle	Diffuse reflection sensor
--------------------	---------------------------

Electrical data

Operating voltage	[V]	10...36 DC
Current consumption	[mA]	25
Protection class		II
Reverse polarity protection		yes
Type of light		red light
Wave length	[nm]	624

Outputs

Electrical design		PNP
Output function		light-on/dark-on mode; (programmable)
Max. voltage drop switching output DC	[V]	2.5
Permanent current rating of switching output DC	[mA]	150; (200 (...60 °C))
Switching frequency DC	[Hz]	2000
Short-circuit protection		yes
Type of short-circuit protection		pulsed
Overload protection		yes

Detection zone

Range	[mm]	2...800; (white paper 200 x 200 mm 90% remission)
Factory setting		light-on mode
Range adjustable		yes
Max. light spot diameter	[mm]	66

OGT501



Diffuse reflection sensor

OGT-FPKG/2M

Light spot dimensions refer to	at maximum range
Monitoring range final value [mm]	150...800

Operating conditions	
Ambient temperature [°C]	-25...80
Protection	IP 67

Tests / approvals	
EMC	EN 60947-5-2
MTTF [years]	473

Mechanical data	
Weight [g]	136.3
Housing	threaded type
Dimensions [mm]	M18 x 1 / L = 80.4
Thread designation	M18 x 1
Materials	stainless steel (1.4404 / 316L); PA; LCP; EPDM; TPU
Lens material	PMMA

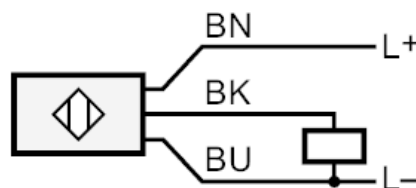
Displays / operating elements		
Display	switching status	1 x LED, yellow
Teach function		yes
Electronic lock		yes

Accessories	
Items supplied	lock nuts: 2 x

Remarks	
Remarks	operating voltage "supply class 2" according to cULus
Pack quantity	1 pcs.

Electrical connection	
Cable: 2 m, PUR; 3 x 0.34 mm ²	

Connection



Core colours :
BK = black
BN = brown
BU = blue



Diffuse reflection sensor

OGT-FPKG/2M

Diagrams and graphs

excess gain graph

