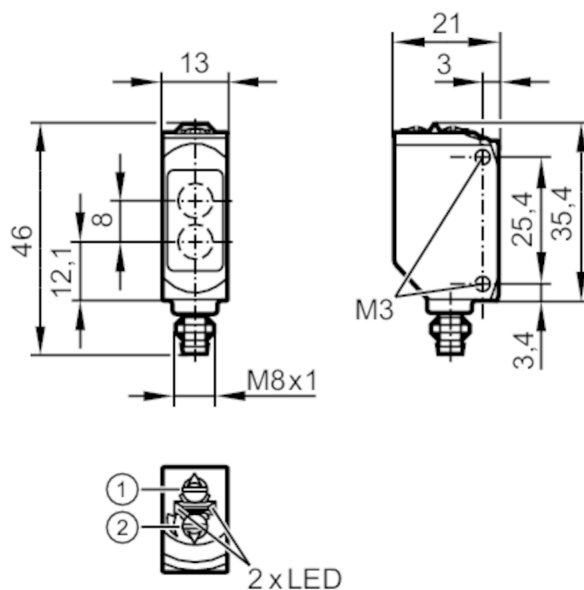


O6T210



Diffuse reflection sensor

O6T-CPKG/AS/4P



- 1: output function switch
2: potentiometer sensitivity



Product characteristics

Type of light	red light
Housing	rectangular
Dimensions [mm]	46 x 13 x 21

Application

Function principle	Diffuse reflection sensor
--------------------	---------------------------

Electrical data

Operating voltage [V]	10...30 DC
Current consumption [mA]	16; ((24 V))
Protection class	III
Reverse polarity protection	yes
Reverse polarity protection	yes
Type of light	red light
Wave length [nm]	633

O6T210



Diffuse reflection sensor

O6T-CPKG/AS/4P

Outputs		
Electrical design		PNP
Output function		complementary
Max. voltage drop switching output DC	[V]	0.5
Minimum load current	[mA]	10
Max. leakage current	[mA]	0.1
Permanent current rating of switching output DC	[mA]	100
Switching frequency DC	[Hz]	1000
Short-circuit protection		yes
Type of short-circuit protection		pulsed
Detection zone		
Range	[mm]	5...500; (white paper 200 x 200 mm 90% remission)
Range adjustable		yes
Max. light spot diameter	[mm]	15
Light spot dimensions refer to		at maximum range
Monitoring range final value	[mm]	5...500
Response times		
Response time	[s]	< 300
Operating conditions		
Ambient temperature	[°C]	-10...60
Protection		IP 65; IP 67
Tests / approvals		
EMC		EN 60947-5-2
MTTF	[years]	1172
UL approval		UL Approval no. E009
Mechanical data		
Weight	[g]	15.8
Housing		rectangular
Dimensions	[mm]	46 x 13 x 21
Materials		housing: ABS; PPSU
Lens material		PMMA
Lens alignment		side lens
Material nut		metal, coated
Sealing material		EPDM
Tightening torque	[Nm]	0.5; (screws)
Displays / operating elements		
Display	switching status	1 x LED, yellow
	operation	1 x LED, green
Remarks		
Remarks		operating voltage "supply class 2" according to cULus
Pack quantity		1 pcs.

O6T210



Diffuse reflection sensor

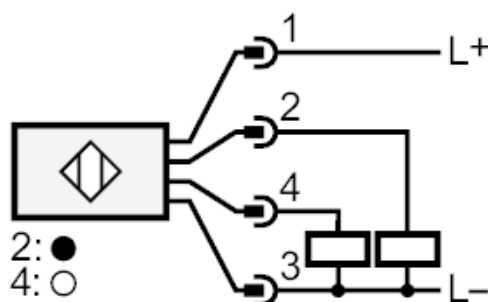
O6T-CPKG/AS/4P

Electrical connection

Connector: 1 x M8; Locking: metal, coated; Sealing: EPDM

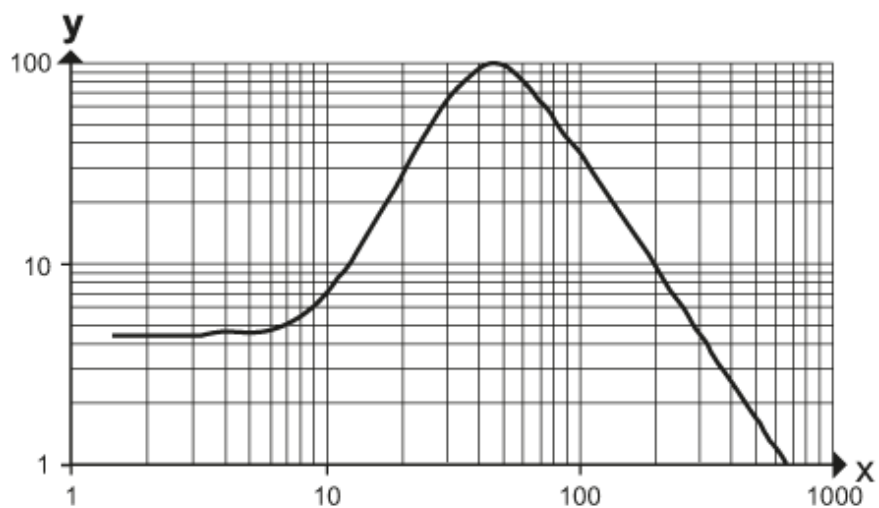


Connection



Diagrams and graphs

excess gain graph



x: distance [mm]

y: excess gain factor