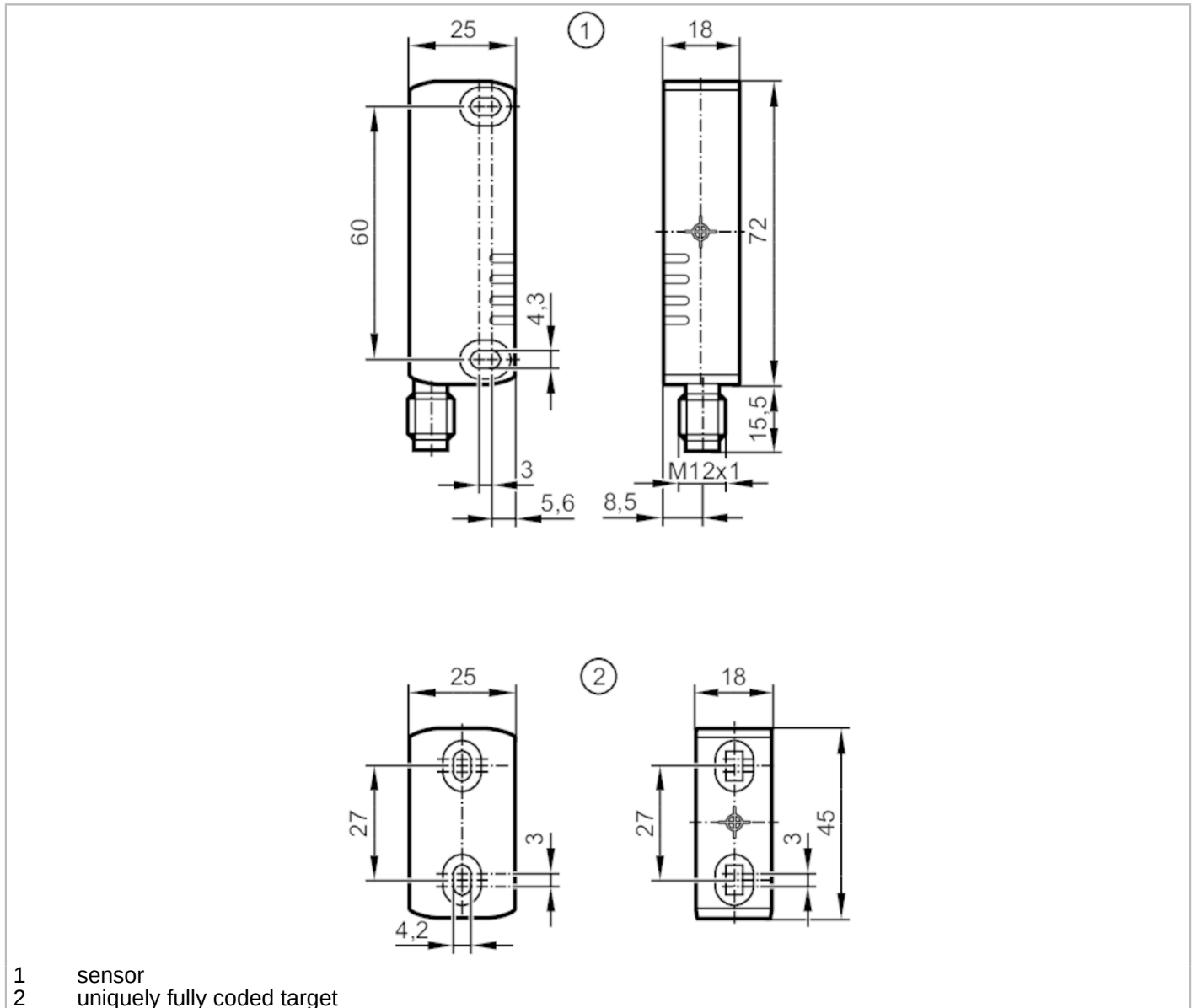


MN701S



RFID-coded safety sensor

MN38010-BPKG/UC/US



Product characteristics	
Electrical design	PNP
Output function	2 x OSSD, 1 x PNP
Sensing range [mm]	12; (with defined actuator)
Housing	rectangular
Dimensions [mm]	72 x 18 x 25
Application	
Design	uniquely fully coded target
Type of operation	permanent operation
Radio approval for	USA; Canada; Australia; EU/RED; China; Singapore

MN701S



RFID-coded safety sensor

MN38010-BPKG/UC/US

Electrical data		
Operating voltage	[V]	20.4...26.4 DC
Rated insulation voltage	[V]	32
Operating current	[mA]	40...700
No-load current	[mA]	30
Current consumption	[mA]	< 50
Protection class		III
Reverse polarity protection		yes
Max. power-on delay time	[ms]	1500
Outputs		
Electrical design		PNP
Output function		2 x OSSD, 1 x PNP
Max. leakage current	[mA]	0.5
Permanent current rating of switching output DC	[mA]	50
Switching frequency DC	[Hz]	1
Output data		interface type C class 2
Short-circuit protection		yes
Overload protection		yes
Max. capacitive load CL_max	[nF]	200
Detection zone		
Sensing range	[mm]	12; (with defined actuator)
Safe switching-off distance s(ar)	[mm]	16
Accuracy / deviations		
Hysteresis	[%]	20
Repeatability analogue output	[%]	≤ 10; (% Sn)
Response times		
Response time to safety request	[ms]	160
Response time when approaching the enable zone	[ms]	600
Risk time (response time for safety-related faults)	[ms]	10

MN701S



RFID-coded safety sensor

MN38010-BPKG/UC/US

Operating conditions	
Applications	class C to EN 60654-1 weatherproof application
Ambient temperature [°C]	-25...70
Note on ambient temperature	operational life ≤ 87600 h
Ambient temperature [°C]	10...40
Note on ambient temperature	operational life ≤ 175200 h
Max. relative air humidity [%]	briefly: 5...95 %; permanent: 5...70 %
Air pressure [kPa]	80...106
Max. height above sea level [m]	2000
Ionising radiation	not permissible
Salt spray	no
Protection	IP 67; IP 69K

Tests / approvals		
EMC	IEC 60947-5-3	
Shock resistance	EN 60068-2-27	30 g (11 ms)
Vibration resistance	IEC 60068-2-6	10 g (10...55 Hz)

Safety classification	
Complies with the requirements	ISO 13849-1: 2015 category 4, PL e IEC 62061 SIL 3
Mission time TM [h]	≤ 175200
Mission time TM (additional indication)	20 years
PFH [1/h]	1,5E-09

Mechanical data	
Weight [g]	176.5
Housing	rectangular
Mounting	non-flush mountable
Dimensions [mm]	72 x 18 x 25
Materials	PA
Tightening torque [Nm]	0.8...2

Displays / operating elements		
Display	function	1 x LED, (ACT)
	input	1 x LED, (IN)
	Output	1 x LED, (OUT)
	operation	1 x LED, (PWR)

Accessories	
Items supplied	uniquely fully coded target washers: 4 cover caps: 8

Remarks	
Pack quantity	1 pcs.

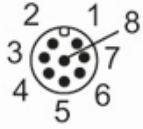
Electrical connection - plug	
Connector: 1 x M12; coding: A; Moulded body: stainless steel (1.4301 / 304)	

MN701S

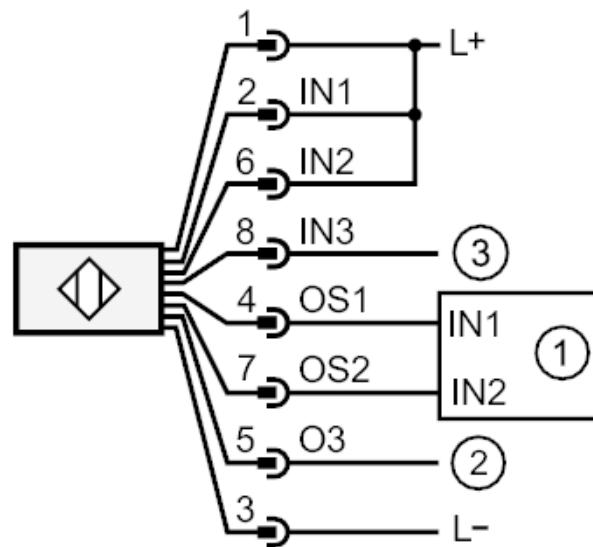


RFID-coded safety sensor

MN38010-BPKG/UC/US



Connection



- 1: safety-related logic unit
- 2: Programmable Logic Controller (PLC)
- 3: not used