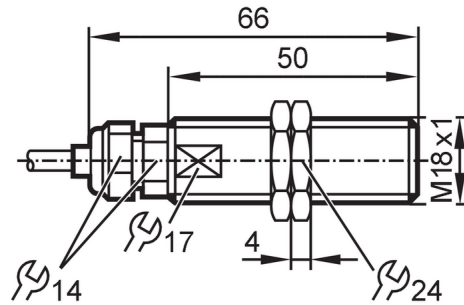


MGT000



Magnetic sensor

MGK2030-AKOA/R/2M



Product characteristics

Electrical design		PNP/NPN
Output function		normally open
Sensing range	[mm]	25; (referred to magnet M 4.0)
Housing		threaded type
Dimensions	[mm]	M18 x 1 / L = 66

Application

Special feature		Full-metal housing
Application		high-temperature applications

Electrical data

Operating voltage	[V]	2...250 AC/DC
Protection class		II
Reverse polarity protection		yes

Outputs

Electrical design		PNP/NPN
Output function		normally open
Permanent current rating of switching output AC	[mA]	1000
Permanent current rating of switching output DC	[mA]	1000
Short-time current rating of switching output	[mA]	1000
Max. switching power	[W]	100
Short-circuit protection		no
Overload protection		no

Detection zone

Sensing range	[mm]	25; (referred to magnet M 4.0)
Response sensitivity	[mT]	7.5

Operating conditions

Ambient temperature	[°C]	-40...180
Protection		IP 65; IP 68; IP 69K

MGT000



Magnetic sensor

MGK2030-AKOA/R/2M

Tests / approvals		
EMC	EN 61000-4-2 ESD	kV CD / 8 kV AD
	EN 61000-4-3 HF radiated	10 V/m
	EN 61000-4-4 Burst	2 kV
	EN 61000-4-5 Surge	1,0 kV line to line, Ri: 2 Ohm
	EN 61000-4-6 HF conducted	10 V
	EN 55011	class B
Shock resistance	EN 60947-5-1	
Vibration resistance	EN 60947-5-1	
MTTF	[years]	57078

Mechanical data		
Weight	[g]	212
Housing		threaded type
Dimensions	[mm]	M18 x 1 / L = 66
Thread designation		M18 x 1
Materials		housing: stainless steel (316L/1.4404); sensing face: stainless steel (316L/1.4404); lock nuts: brass
Tightening torque for cable gland	[Nm]	5
Tightening torque	[Nm]	50
Full-metal housing		yes

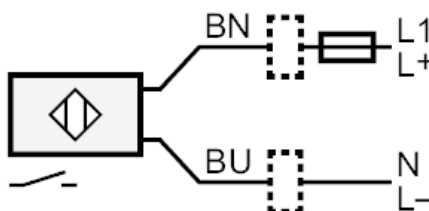
Electrical connection	
Required protection	miniature fuse to IEC60127-2 sheet 1; $\leq 0,175$ A; fast acting

Accessories	
Items supplied	lock nuts: 2

Remarks	
Pack quantity	1 pcs.

Electrical connection	
Cable: 2 m, silicone; 2 x 0.75 mm ²	

Connection



Note miniature fuse to IEC60127-2 sheet 1 ≤ 0.175 A fast acting
Core colours :

BN = brown
BU = blue