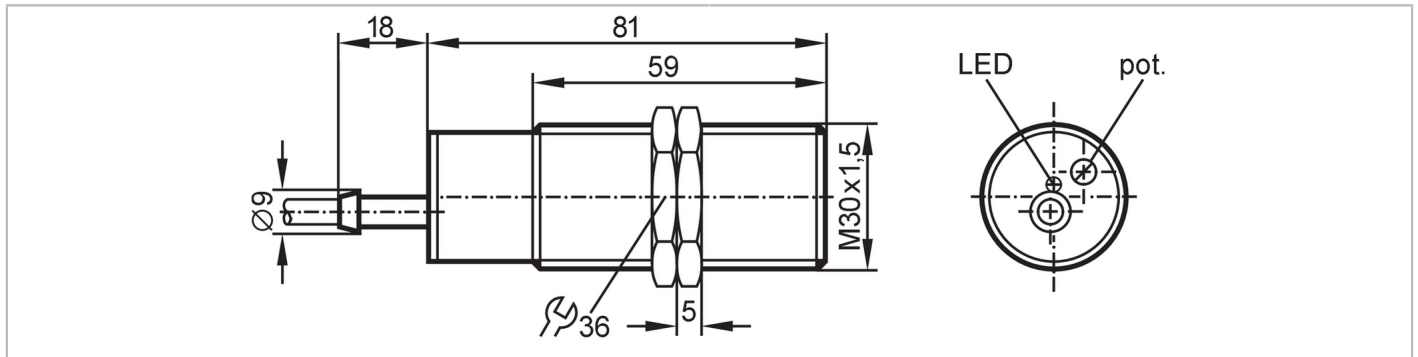


# KI0020



## Capacitive sensor

KI-2015-BBOA/NI



Product characteristics	
Output function	normally closed
Sensing range [mm]	15
Housing	threaded type
Dimensions [mm]	M30 x 1.5 / L = 81
Electrical data	
Operating voltage [V]	20...250 AC/DC
Protection class	II
Reverse polarity protection	no
Outputs	
Output function	normally closed
Max. voltage drop switching output DC [V]	8
Max. voltage drop switching output AC [V]	10
Minimum load current [mA]	5
Max. leakage current [mA]	2.5 (250 V AC) / 1.7 (110 V AC) / 1.5 (24 V DC)
Permanent current rating of switching output AC [mA]	250; (>50° C: 200)
Permanent current rating of switching output DC [mA]	250; (>50° C: 200; for UL application: 100 DC)
Short-time current rating of switching output [mA]	1500; (20 ms / 0,5 Hz)
Switching frequency AC [Hz]	25
Switching frequency DC [Hz]	40
Short-circuit proof	no
Overload protection	no
Detection zone	
Sensing range [mm]	15
Sensing range adjustable	yes
Factory setting sensing range [mm]	15
Real sensing range Sr [mm]	15 ± 10 %
Operating distance [mm]	0...12.1

# KI0020



## Capacitive sensor

KI-2015-BBOA/NI

Accuracy / deviations		
Correction factor		glass: 0.4 / water: 1 / ceramics: 0.2 / PVC: 0.2
Hysteresis	[% of Sr]	1...15
Switch point drift	[% of Sr]	-15...15
Operating conditions		
Ambient temperature	[°C]	-25...70
Protection		IP 65
Increased immunity		yes; (increased immunity to conducted radio frequency interference)
Tests / approvals		
EMC		EN 60947-5-2
MTTF	[years]	489
Mechanical data		
Weight	[g]	196
Housing		threaded type
Mounting		non-flush mountable
Dimensions	[mm]	M30 x 1.5 / L = 81
Thread designation		M30 x 1.5
Materials		housing: PBT
Displays / operating elements		
Display	switching status	1 x LED, yellow
Electrical connection		
Required protection		miniature fuse to IEC60127-2 sheet 1; ≤ 2 A; fast acting
Accessories		
Items supplied		lock nuts: 2
Remarks		
Remarks		Recommendation: Check the safe functioning of the unit after a short circuit.
Pack quantity		1 pcs.

# KI0020



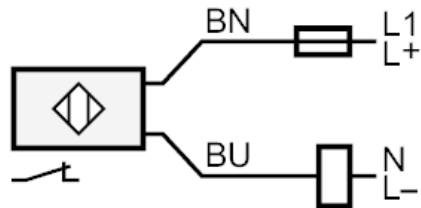
## Capacitive sensor

KI-2015-BBOA/NI

### Electrical connection

Cable: 2 m, PVC; 2 x 0.5 mm<sup>2</sup>

### Connection



Note miniature fuse to IEC60127-2 sheet 1  $\leq$  2 A fast acting  
Core colours :

BN =

brown

BU =

blue