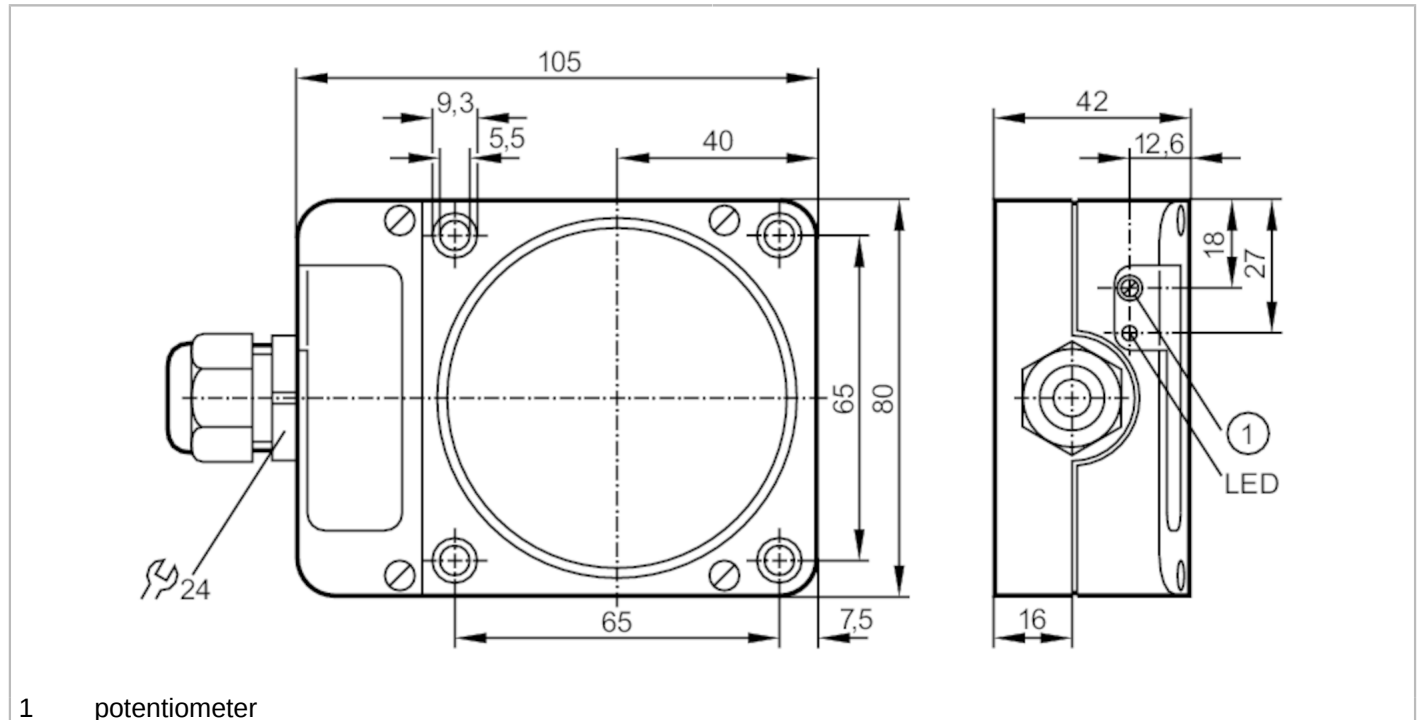


KD001A



Capacitive sensor

KDE2060-FBOA/NI/3D



Product characteristics

Output function		normally open / normally closed; (selectable)
Sensing range	[mm]	60
Housing		rectangular
Dimensions	[mm]	105 x 80 x 42

Electrical data


Operating voltage	[V]	20...250 AC/DC
Protection class		II
Reverse polarity protection		no

KD001A



Capacitive sensor

KDE2060-FBOA/NI/3D

Outputs		
Output function		normally open / normally closed; (selectable)
Max. voltage drop switching output DC [V]		8
Max. voltage drop switching output AC [V]		10
Minimum load current [mA]		5
Max. leakage current [mA]		2.5 (250 V AC) / 1.7 (110 V AC) / 1.3 (24 V DC)
Permanent current rating of switching output AC [mA]		130; (250 (...40 °C))
Permanent current rating of switching output DC [mA]		130; (250 (...40 °C))
Short-time current rating of switching output [mA]		1500; (20 ms / 0,5 Hz)
Switching frequency AC [Hz]		4
Switching frequency DC [Hz]		4
Notes on switching frequency		only for resistive loads; 2 Hz for utilisation category AC-140
Short-circuit proof		no
Overload protection		no
Detection zone		
Sensing range [mm]		60
Sensing range adjustable		yes
Factory setting sensing range [mm]		60
Real sensing range Sr [mm]		60 ± 10 %
Accuracy / deviations		
Correction factor		glass: 0.4 / water: 1 / ceramics: 0.2 / PVC: 0.2
Hysteresis [% of Sr]		1...15
Switch point drift [% of Sr]		-15...15
Operating conditions		
Ambient temperature [°C]		-20...60
Protection		IP 65
Increased immunity		yes
Tests / approvals		
ATEX marking		 II 3D Ex tc IIIC T90°C Dc X IP65
EMC		EN 60947-5-2
MTTF [years]		270
Mechanical data		
Weight [g]		281.5
Housing		rectangular
Mounting		non-flush mountable
Dimensions [mm]		105 x 80 x 42
Materials		PPE modified; PA
Tightening torque [Nm]		housing screws: 0,9 Nm; screws: 4 Nm
Displays / operating elements		
Display	switching status	1 x LED, yellow

KD001A



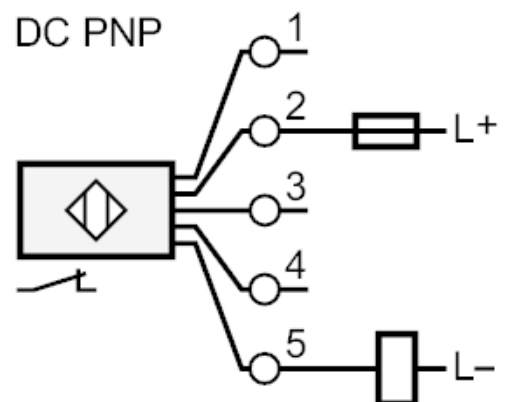
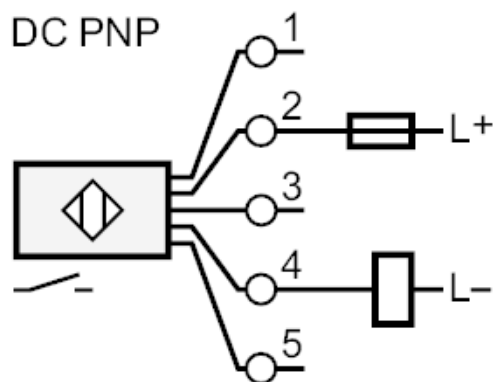
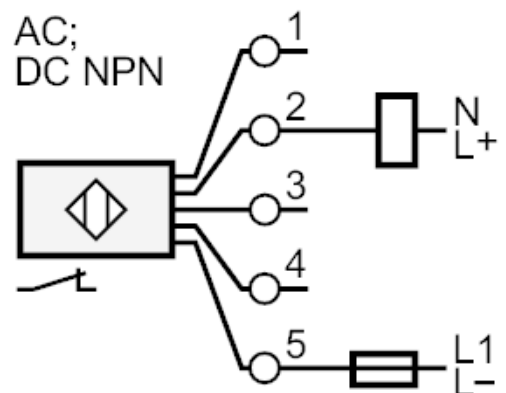
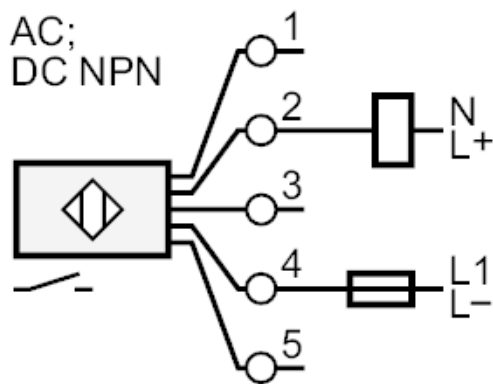
Capacitive sensor

KDE2060-FBOA/NI/3D

Electrical connection	
Required protection	miniature fuse to IEC60127-2 sheet 1; ≤ 2 A; fast acting; Place the fuse outside the hazardous area.
Remarks	
Remarks	Recommendation: Check the safe functioning of the unit after a short circuit.
Pack quantity	1 pcs.

Electrical connection	
terminals: 0.34...2.5 mm ² ; Cable sheath: \varnothing 5...9 mm; Cable gland: M20 X 1.5	

Connection



Note miniature fuse to IEC60127-2 sheet 1 ≤ 2 A fast acting
Place the fuse outside the hazardous area.