

IM5089

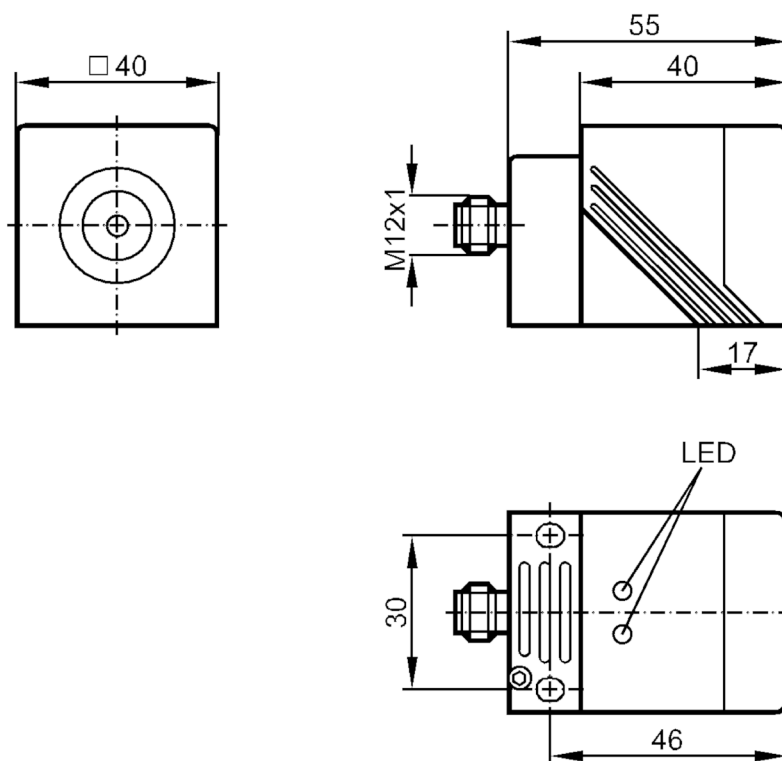


Inductive sensor

IMC4035-CPKG/SC/US-100-DPA

Article no longer available - archive entry

Alternative article: IM5125 or IM5126 When selecting an alternative article and accessories please note that technical data may differ! – When selecting an alternative article and accessories please note that technical data may differ!



Product characteristics

Electrical design		PNP
Output function		complementary
Sensing range	[mm]	35
Housing		rectangular
Dimensions	[mm]	40 x 40 x 62

Electrical data

Operating voltage	[V]	10...36 DC
Current consumption	[mA]	20; (24 V)
Protection class		II
Reverse polarity protection		yes

IM5089



Inductive sensor

IMC4035-CPKG/SC/US-100-DPA

Outputs		
Electrical design		PNP
Output function		complementary
Max. voltage drop switching output DC	[V]	2.5
Permanent current rating of switching output DC	[mA]	250
Switching frequency DC	[Hz]	100
Short-circuit protection		yes
Type of short-circuit protection		pulsed
Overload protection		yes
Detection zone		
Sensing range	[mm]	35
Real sensing range Sr	[mm]	35 ± 10 %
Operating distance	[mm]	0...28.3
Accuracy / deviations		
Correction factor		steel: 1 / stainless steel: 0.7 / brass: 0.4 / aluminium: 0.3 / copper: 0.2
Hysteresis	[% of Sr]	1...15
Switch point drift	[% of Sr]	-10...10
Operating conditions		
Ambient temperature	[°C]	-25...70
Protection		IP 67
Tests / approvals		
EMC		EN 60947-5-2
Mechanical data		
Housing		rectangular
Mounting		non-flush mountable
Dimensions	[mm]	40 x 40 x 62
Materials		housing: PPE; cover: PEI PTFE coated; connector housing: brass nickel-plated; end cap: diecast zinc; clamp: diecast zinc
Displays / operating elements		
Display	switching status	1 x LED, yellow
	operation	1 x LED, green
Accessories		
Accessories (supplied)	Mounting bracket:	1
	Allen key:	1
Remarks		
Remarks		5 positions of the active zone possible
Pack quantity		1 pcs.
Electrical connection - plug		
Connector: 1 x M12		

IM5089

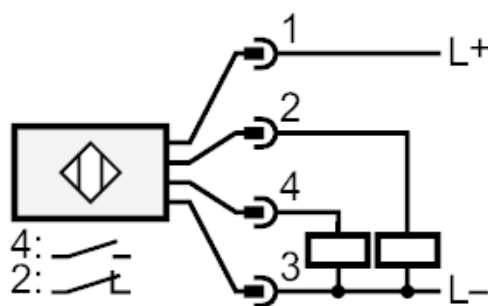


Inductive sensor

IMC4035-CPKG/SC/US-100-DPA



Connection



Article no longer available - archive entry

Alternative article: IM5125 or IM5126 When selecting an alternative article and accessories please note that technical data may differ! – When selecting an alternative article and accessories please note that technical data may differ!