

IM000A

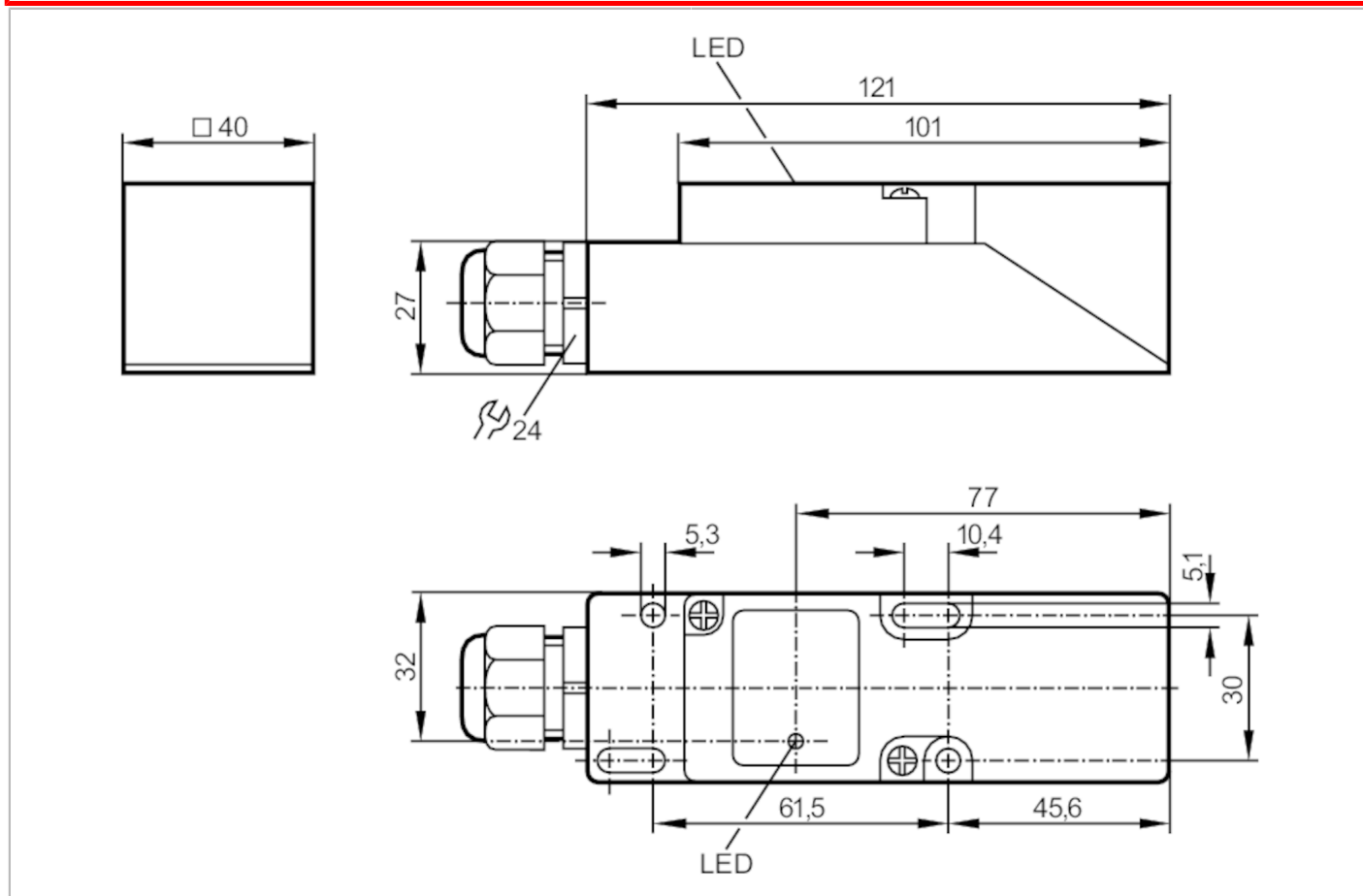


Inductive sensor

IME2015BFBOA/3D

Article no longer available - archive entry

replaced by: IM001A



Product characteristics

Output function		normally open / normally closed; (selectable)
Sensing range	[mm]	15
Housing		rectangular
Dimensions	[mm]	40 x 40 x 121

Electrical data


Operating voltage	[V]	20...250 AC/DC
Protection class		II
Reverse polarity protection		no

IM000A



Inductive sensor

IME2015BFBOA/3D

Outputs		
Output function		normally open / normally closed; (selectable)
Max. voltage drop switching output DC	[V]	6
Max. voltage drop switching output AC	[V]	6.5
Minimum load current	[mA]	5
Max. leakage current	[mA]	2.5 (250 V AC) / 1.3 (130 V AC) / 0.8 (24 V DC)
Permanent current rating of switching output AC	[mA]	150; (350 (...50 °C); when used outside the hazardous area: 250 (...80 °C))
Permanent current rating of switching output DC	[mA]	100; (350 (...50 °C); when used outside the hazardous area: 250 (...80 °C))
Short-time current rating of switching output	[mA]	2200; (20 ms / 0,5 Hz)
Switching frequency AC	[Hz]	25
Switching frequency DC	[Hz]	70
Short-circuit proof		no
Overload protection		no
Detection zone		
Sensing range	[mm]	15
Real sensing range Sr	[mm]	15 ± 10 %
Operating distance	[mm]	0...12.1
Accuracy / deviations		
Correction factor		steel: 1 / stainless steel: 0.7 / brass: 0.4 / aluminium: 0.3 / copper: 0.2
Hysteresis	[% of Sr]	1...15
Switch point drift	[% of Sr]	-10...10
Operating conditions		
Ambient temperature	[°C]	-20...60
Note on ambient temperature		when used outside the hazardous area: -25...80 °C
Protection		IP 54; (when used outside the hazardous area: IP 65)
Tests / approvals		
ATEX marking		 II 3D Ex tD A22 IP54 T95°C X
EMC		EN 60947-5-2
MTTF	[years]	603
Mechanical data		
Weight	[g]	0.211
Housing		rectangular
Mounting		flush mountable
Dimensions	[mm]	40 x 40 x 121
Materials		PPE
Tightening torque for cable gland	[Nm]	3.5
Displays / operating elements		
Display	switching status	1 x LED, yellow

IM000A



Inductive sensor

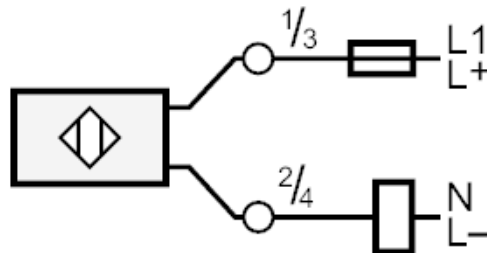
IME2015BFBOA/3D

Electrical connection	
Required protection	miniature fuse to IEC60127-2 sheet 1; ≤ 2 A; fast acting; Place the fuse outside the hazardous area.
Remarks	
Remarks	Recommendation: Check the safe functioning of the unit after a short circuit. 5 positions of the active zone possible
Pack quantity	1 pcs.

Electrical connection

terminals: ...2.5 mm²; Cable sheath: \varnothing 5.5...13 mm

Connection



Note miniature fuse to IEC60127-2 sheet 1 ≤ 2 A fast acting
Place the fuse outside the hazardous area.

Article no longer available - archive entry

replaced by: IM001A