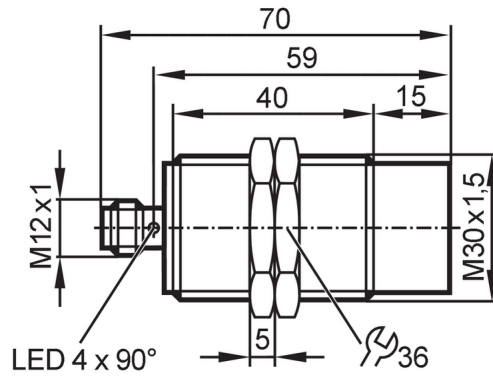


# II5921



## Inductive sensor

IIK022-ASKG/V4A/US-104



### Product characteristics

Electrical design		PNP/NPN
Output function		normally open
Sensing range	[mm]	22
Housing		threaded type
Dimensions	[mm]	M30 x 1.5 / L = 70

### Application

Special feature		Gold-plated contacts; Increased sensing range
Application		Use in mobile and harsh applications

### Electrical data

Operating voltage	[V]	10...36 DC
Current consumption	[mA]	< 10
Protection class		II
Reverse polarity protection		yes

### Outputs

Electrical design		PNP/NPN
Output function		normally open
Max. voltage drop switching output DC	[V]	2.5
Minimum load current	[mA]	2; (only in 2-wire operation)
Max. leakage current	[mA]	0.5; (only in 2-wire operation)
Permanent current rating of switching output DC	[mA]	100
Switching frequency DC	[Hz]	100
Short-circuit protection		yes
Type of short-circuit protection		pulsed
Overload protection		yes

### Detection zone

Sensing range	[mm]	22
Real sensing range $S_r$	[mm]	$22 \pm 10 \%$
Operating distance	[mm]	0...17.82

# II5921



## Inductive sensor

IIKC022-ASKG/V4A/US-104

Increased sensing range	yes
-------------------------	-----

### Accuracy / deviations

Correction factor	steel: 1 / stainless steel: 0.7 / brass: 0.5 / aluminium: 0.4 / copper: 0.3
Hysteresis [% of Sr]	1...20
Switch point drift [% of Sr]	-10...10

### Operating conditions

Ambient temperature [°C]	-40...85
Protection	IP 67; IP 69K

### Tests / approvals

EMC	EN 61000-4-2 ESD	4 kV CD / 8 kV AD
	EN 61000-4-3 HF radiated	10 V/m
	EN 61000-4-4 Burst	2 kV
	EN 61000-4-5 Surge	0,5 kV mains line to line
	EN 61000-4-6 HF conducted	10 V
	EN 55011	class B
Salt spray test	EN 60068-2-52 Kb	severity level 5 (4 test cycles)
MTTF [years]		1253
UL approval	Ta	-25...70 °C
	Enclosure type	Type 1
	voltage supply	Limited Voltage/Current
	UL approval no.	A052
	File number UL	E174191

### Mechanical data

Weight [g]	125.4
Housing	threaded type
Mounting	non-flush mountable
Dimensions [mm]	M30 x 1.5 / L = 70
Thread designation	M30 x 1.5
Materials	housing: stainless steel (316L/1.4404); sensing face: LCP white; LED window: PEI; lock nuts: brass white bronze coated
Tightening torque [Nm]	80

### Displays / operating elements

Display	switching status	4 x 90° LED, yellow
---------	------------------	---------------------

### Accessories

Items supplied	lock nuts: 2
----------------	--------------

### Remarks

Pack quantity	1 pcs.
---------------	--------

### Electrical connection - plug

Connector: 1 x M12; coding: A; Contacts: 3, gold-plated



# II5921



## Inductive sensor

IIKC022-ASKG/V4A/US-104

### Connection

