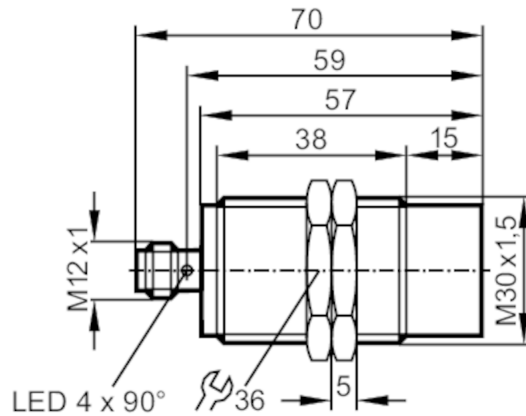


II5913



Inductive analogue sensor

IIK3015A1PKG/US



Product characteristics	
Housing	threaded type
Dimensions [mm]	M30 x 1.5 / L = 70
Electrical data	
Operating voltage [V]	15...30 DC
Current consumption [mA]	< 20
Protection class	II
Reverse polarity protection	yes
Outputs	
Analogue current output [mA]	4...20; (linear; gradient: 1,143 mA/mm; for frontal approach and for target made of mild steel: 45 x 45 x 1 mm)
Max. load [Ω]	500
Short-circuit protection	yes
Overload protection	yes
Detection zone	
Measuring range [mm]	1...15
Accuracy / deviations	
Correction factor	steel: 1 / stainless steel: 0.7 / brass: 0.5 / aluminium: 0.4 / copper: 0.3
Linearity error of analogue output [%]	± 1 %; (of IA max)
Repeatability analogue output [%]	± 1 %; (of IA max)
Response times	
Response time [ms]	< 20
Operating conditions	
Ambient temperature [$^{\circ}$ C]	-25...80
Protection	IP 67
Tests / approvals	
EMC	EN 60947-5-2
MTTF [years]	218

II5913



Inductive analogue sensor

IIK3015A1PKG/US

Mechanical data		
Weight	[g]	128.7
Housing		threaded type
Mounting		non-flush mountable
Dimensions	[mm]	M30 x 1.5 / L = 70
Thread designation		M30 x 1.5
Materials		housing: brass white bronze coated; sensing face: PBT
Tightening torque	[Nm]	50

Displays / operating elements		
Display	within the operating range	1 x LED, yellow lights
	outside the operating range	1 x LED, yellow flashing

Accessories	
Accessories (supplied)	lock nuts: 2

Remarks	
Pack quantity	1 pcs.

Electrical connection - plug

Connector: 1 x M12



Connection

