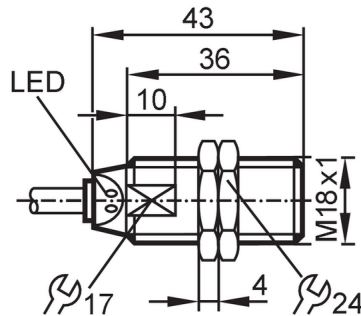


# IG5899



## Inductive sensor

IGB2008BBROG/UP/6M/PH



### Product characteristics

Electrical design		PNP/NPN
Output function		normally closed
Sensing range	[mm]	8
Housing		threaded type
Dimensions	[mm]	M18 x 1 / L = 43

### Electrical data

Operating voltage	[V]	10...36 DC
Protection class		II
Reverse polarity protection		no

### Outputs

Electrical design		PNP/NPN
Output function		normally closed
Max. voltage drop switching output DC	[V]	5
Minimum load current	[mA]	5
Max. leakage current	[mA]	1
Permanent current rating of switching output DC	[mA]	100
Switching frequency DC	[Hz]	100
Short-circuit protection		no
Overload protection		no

### Detection zone

Sensing range	[mm]	8
---------------	------	---

### Accuracy / deviations

Correction factor		steel: 1 / stainless steel: 0.7 / brass: 0.4 / aluminium: 0.4 / copper: 0.3
-------------------	--	---

### Operating conditions

Ambient temperature	[°C]	-25...70
Protection		IP 67

### Tests / approvals

EMC		EN 60947-5-2
MTTF	[years]	2673

# IG5899



## Inductive sensor

IGB2008BBROG/UP/6M/PH

Mechanical data	
Weight [g]	303
Housing	threaded type
Mounting	flush mountable
Dimensions [mm]	M18 x 1 / L = 43
Thread designation	M18 x 1
Materials	housing: brass white bronze coated; sensing face: PC

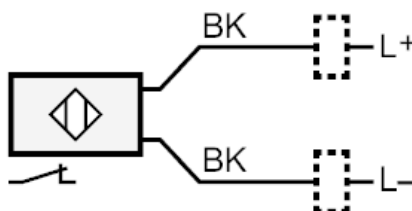
Displays / operating elements		
Display	switching status	1 x LED, red

Accessories	
Items supplied	lock nuts: 2

Remarks	
Pack quantity	1 pcs.

Electrical connection	
Cable: 6 m, PUR / PVC; 2 x 0.34 mm <sup>2</sup>	

### Connection



BK = Core colours :  
black