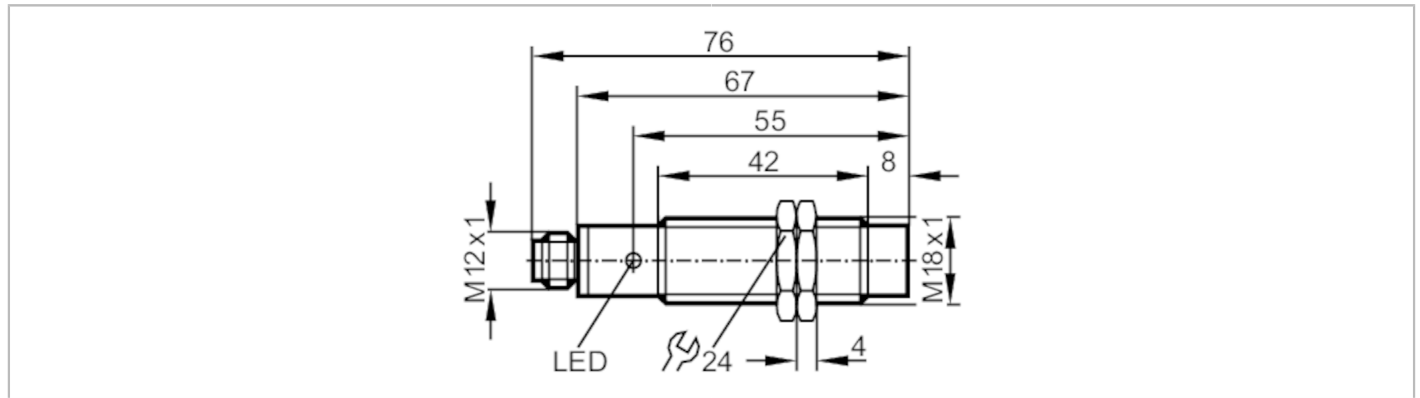


# IG5765



## Inductive sensor

IGA3008ZBPKG/US-100-DPS



Product characteristics	
Electrical design	PNP
Output function	normally open
Sensing range [mm]	8
Housing	threaded type
Dimensions [mm]	M18 x 1 / L = 76
Electrical data	
Operating voltage [V]	10...36 DC
Current consumption [mA]	15; (24 V)
Protection class	II
Reverse polarity protection	yes
Outputs	
Electrical design	PNP
Output function	normally open
Max. voltage drop switching output DC [V]	2.5
Permanent current rating of switching output DC [mA]	100; (250 (...80 °C))
Switching frequency DC [Hz]	300
Short-circuit protection	yes
Type of short-circuit protection	pulsed
Overload protection	yes
Detection zone	
Sensing range [mm]	8
Real sensing range Sr [mm]	8 ± 10 %
Operating distance [mm]	0...6.5
Accuracy / deviations	
Correction factor	steel: 1 / stainless steel: 0.7 / brass: 0.5 / aluminium: 0.4 / copper: 0.3
Hysteresis [% of Sr]	1...15
Switch point drift [% of Sr]	-10...10

# IG5765



## Inductive sensor

IGA3008ZBPKG/US-100-DPS

Operating conditions		
Ambient temperature	[°C]	-25...100
Protection		IP 65
Tests / approvals		
EMC		EN 60947-5-2
MTTF	[years]	1853
Mechanical data		
Weight	[g]	59.4
Housing		threaded type
Mounting		non-flush mountable
Dimensions	[mm]	M18 x 1 / L = 76
Thread designation		M18 x 1
Materials		brass nickel-plated; PC
Displays / operating elements		
Display	switching status	1 x LED, yellow
Accessories		
Items supplied		lock nuts: 2
Remarks		
Pack quantity		1 pcs.

### Electrical connection - plug

Connector: 1 x M12; coding: A



### Connection

