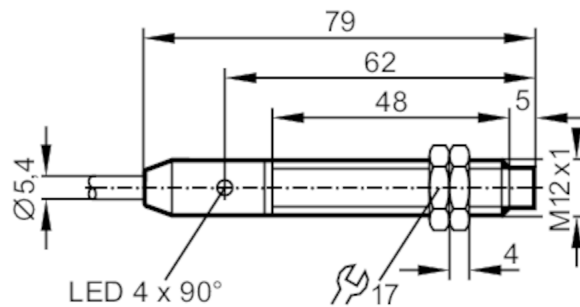


# IFM212



## Inductive sensor

IFK2007-BRKG/M/60V/8M/HH



### Product characteristics

Electrical design	PNP/NPN
Output function	normally closed
Sensing range [mm]	7
Housing	threaded type
Dimensions [mm]	M12 x 1 / L = 79

### Application

Special feature	Increased sensing range
Application	Use in mobile and harsh applications

### Electrical data

Operating voltage [V]	10...60 DC
Protection class	II
Reverse polarity protection	yes

### Outputs

Electrical design	PNP/NPN
Output function	normally closed
Max. voltage drop switching output DC [V]	2.5
Minimum load current [mA]	2
Max. leakage current [mA]	0.5
Permanent current rating of switching output DC [mA]	200
Switching frequency DC [Hz]	300
Short-circuit protection	yes
Type of short-circuit protection	pulsed
Overload protection	yes

### Detection zone

Sensing range [mm]	7
Real sensing range Sr [mm]	7 ± 10 %
Operating distance [mm]	0...5.67
Increased sensing range	yes

# IFM212



## Inductive sensor

IFK2007-BRKG/M/60V/8M/HH

Accuracy / deviations		
Correction factor		steel: 1 / stainless steel: 0.7 / brass: 0.5 / aluminium: 0.5 / copper: 0.4
Hysteresis	[% of Sr]	1...20
Switch point drift	[% of Sr]	-10...10
Operating conditions		
Ambient temperature	[°C]	-40...85
Protection		IP 67; IP 69K
Tests / approvals		
EMC	automotive area	
	noise emission and noise interference: ECE R10	E1 type approval
	noise immunity according to DIN ISO 11452-2	100 V/m
	conducted interference in 24 V networks to ISO 7637-2: 2004 (pulse 1 to 4) and ISO16750-2: 2012 (load dump)	
	pulse	1 2a 2b 3a 3b 4 Load dump
	severity level	III III III III III III Test A
	failure criterion	C A C A A C C
	EN 61000-4-2 ESD	4 kV CD / 8 kV AD
	EN 61000-4-3 HF radiated	10 V/m
	EN 61000-4-4 Burst	2 kV
	EN 61000-4-5 Surge	0,5 kV mains line to line
	EN 61000-4-6 HF conducted	10 V
	EN 55011	class B
	Vibration resistance	EN 60068-2-6 Fc
Shock resistance	EN 60068-2-27 Ea	100 g 11 ms half-sine; 3 shocks each in every direction of the 3 coordinate axes / -40...85 °C
Continuous shock resistance	EN 60068-2-27	40 g 6 ms; 4000 shocks each in every direction of the 3 coordinate axes / -20...50 °C
Fast temperature change	EN 60068-2-14 Na	TA = -40 °C; TB = 85 °C; t1 = 30 min; t2 = < 10 s; 50 cycles
Salt spray test	EN 60068-2-52 Kb	severity level 5 (4 test cycles)
MTTF	[years]	695
Mechanical data		
Weight	[g]	349
Housing		threaded type
Mounting		non-flush mountable
Dimensions	[mm]	M12 x 1 / L = 79
Thread designation		M12 x 1
Materials		housing: stainless steel; sensing face: LCP natural; LED window: PEI; lock nuts: brass
Displays / operating elements		
Display	switching status	4 x 90° LED, yellow
Accessories		
Items supplied		lock nuts: 2

# IFM212



## Inductive sensor

IFK2007-BRKG/M/60V/8M/HH

### Remarks

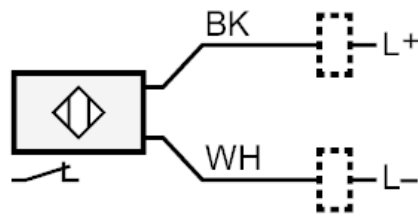
Pack quantity

1 pcs.

### Electrical connection

Cable: 8 m, PUR; 2 x 0.5 mm<sup>2</sup>

### Connection



BK = Core colours :  
black  
WH = white