

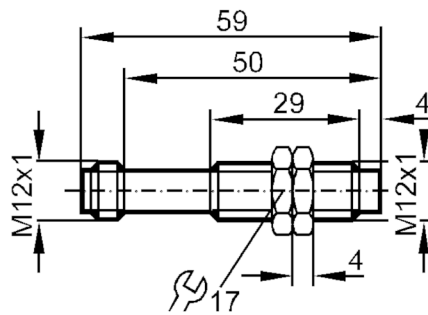
# IF5022



## Inductive sensor

IFK3004-BPOG/HS-400-HPX

Article no longer available - archive entry



### Product characteristics

Electrical design		PNP
Sensing range	[mm]	4
Housing		threaded type
Dimensions	[mm]	M12 x 1

### Electrical data

Operating voltage	[V]	10...30 DC
Current consumption	[mA]	15; (24 V)
Protection class		II

### Outputs

Electrical design		PNP
Max. voltage drop switching output DC	[V]	1
Permanent current rating of switching output DC	[mA]	200
Switching frequency DC	[Hz]	300
Short-circuit protection		no
Overload protection		no

### Detection zone

Sensing range	[mm]	4
Sensing range adjustable		no
Real sensing range $S_r$	[mm]	$4 \pm 10\%$
Operating distance	[mm]	0...3.25

# IF5022



## Inductive sensor

IFK3004-BPOG/HS-400-HPX

### Accuracy / deviations

Correction factor		steel: 1 / stainless steel: 0.7 / brass: 0.4 / aluminium: 0.3 / copper: 0.2
Hysteresis	[% of Sr]	1...15
Switch point drift	[% of Sr]	-10...10

### Operating conditions

Ambient temperature	[°C]	-25...80
Protection		IP 67

### Tests / approvals

EMC	EN 60947-5-2	
	EN 55011	class B

### Mechanical data

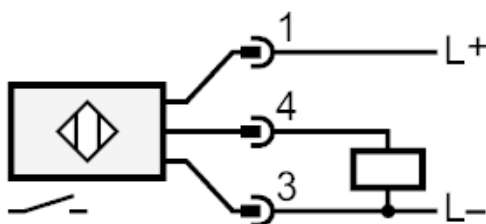
Housing		threaded type
Mounting		non-flush mountable
Dimensions	[mm]	M12 x 1
Thread designation		M12 x 1
Materials		brass nickel-plated; PBT

### Accessories

Accessories (supplied)		lock nuts: 2
------------------------	--	--------------

### Electrical connection

#### Connection



Article no longer available - archive entry