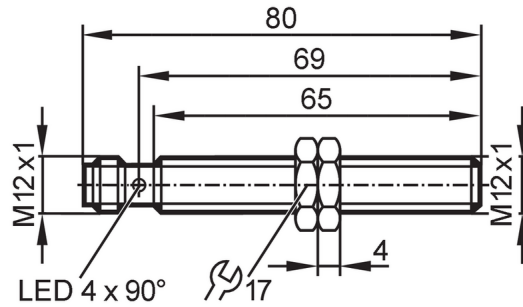


# IF5580



## Inductive sensor

IFA3002-BPKG/US-104



### Product characteristics

Electrical design		PNP
Output function		normally open
Sensing range	[mm]	2
Housing		Threaded type
Dimensions	[mm]	M12 x 1 / L = 80

### Application

Special feature		gold-plated contacts
-----------------	--	----------------------

### Electrical data

Operating voltage	[V]	10...30 DC
Current consumption	[mA]	< 10
Protection class		III
Reverse polarity protection		yes

### Outputs

Electrical design		PNP
Output function		normally open
Max. voltage drop switching output DC	[V]	2.5
Permanent current rating of switching output DC	[mA]	200
Switching frequency DC	[Hz]	800
Short-circuit protection		yes
Overload protection		yes

### Monitoring range

Sensing range	[mm]	2
Real sensing range $S_r$	[mm]	$2 \pm 10\%$
Operating distance	[mm]	0...1.62

### Accuracy / deviations

Correction factor		steel: 1 / stainless steel: 0.7 / brass: 0.5 / aluminum: 0.4 / copper: 0.3
Hysteresis	[% of $S_r$ ]	3...15
Switch-point drift	[% of $S_r$ ]	-10...10

### Operating conditions

Ambient temperature	[°C]	-25...80
---------------------	------	----------

# IF5580



## Inductive sensor

IFA3002-BPKG/US-104

Protection	IP 67
------------	-------

### Tests / approvals

EMC	EN 61000-4-2 ESD	4 kV CD / 8 kV AD
	EN 61000-4-3 HF radiated	10 V/m
	EN 61000-4-4 Burst	2 kV
	EN 61000-4-6 HF conducted	10 V
	EN 55011	class B
MTTF [years]		1083
Embedded software included		yes
UL approval	Ta	0...40 °C
	Enclosure type	Type 1
	voltage supply	Hazardous voltage
	UL approval number	A004
	File number UL	E174191

### Mechanical data

Weight [g]	32.5
Housing	Threaded type
Mounting	flush mountable
Dimensions [mm]	M12 x 1 / L = 80
Thread designation	M12 x 1
Material	housing: brass white bronze coated; sensing face: PBT orange; LED window: PEI; lock nuts: brass white bronze coated

### Displays / operating elements

Display	Switching status	4 x 90° LED, yellow
---------	------------------	---------------------

### Accessories

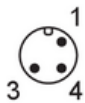
Items supplied	lock nuts: 2
----------------	--------------

### Remarks

Pack quantity	1 pcs.
---------------	--------

### Electrical connection - plug

Connector: 1 x M12; coding: A; Contacts: gold-plated



# IF5580



## Inductive sensor

IFA3002-BPKG/US-104

### Connection

