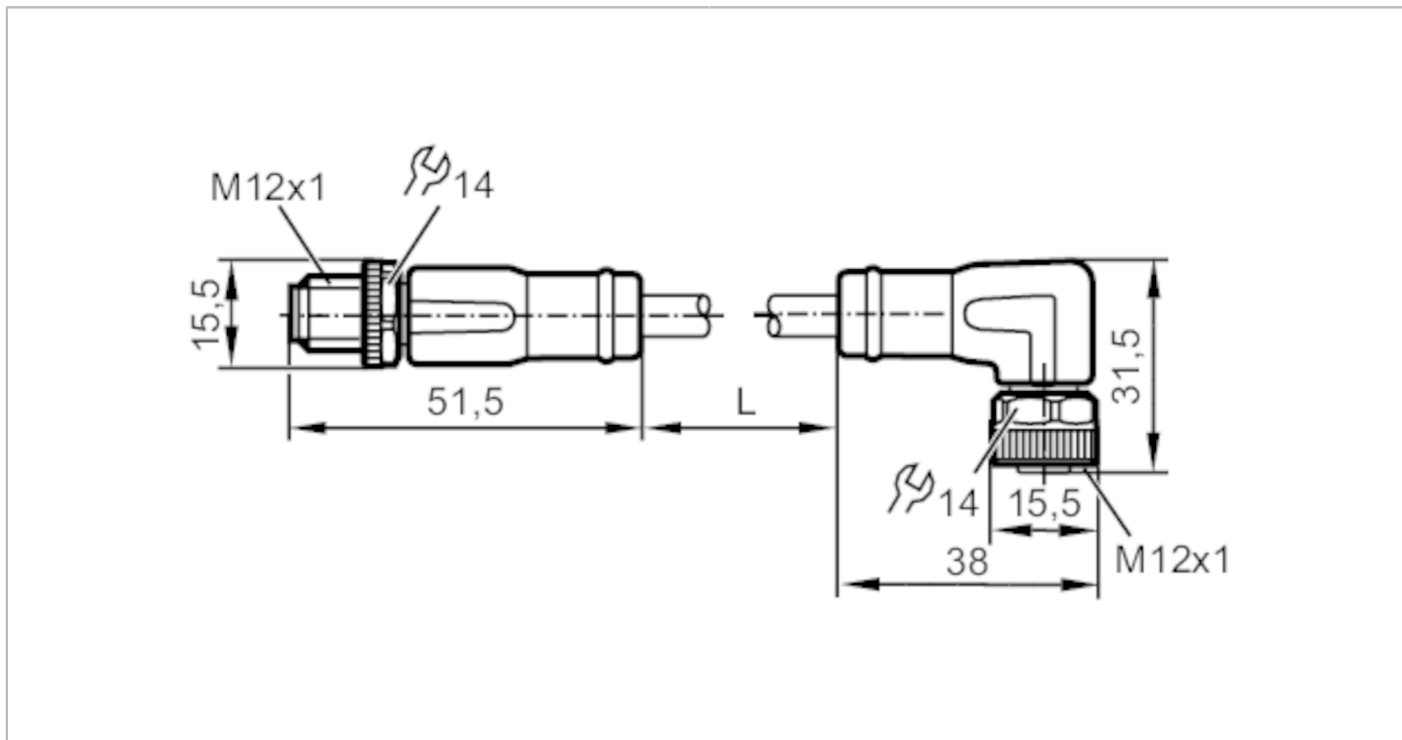


EVC951



Connection cable

VDOAH050MSD0002C05STGH050MSS



Application									
Special feature	Halogen-free; Gold-plated contacts; Screened cable; Drag chain suitability								
Application	CAN bus								
Electrical data									
Operating voltage [V]	< 30 AC / < 36 DC								
Max. current load total [A]	4								
Operating conditions									
Ambient temperature [°C]	-25...80								
Protection	IP 67; IP 68; IP 69K								
Mechanical data									
Weight [g]	231.3								
Dimensions [mm]	14.5 x 14.5 x 48.5								
Moulded-body material	TPU								
Material nut	brass, nickel-plated								
Sealing material	FKM								
Drag chain suitability	yes								
Drag chain suitability	<table border="1"> <tr> <td>bending radius for flexible use</td> <td>min. 10 x cable diameter</td> </tr> <tr> <td>travel speed</td> <td>max. 3.3 m/s for a horizontal travel length of 5 m and max. acceleration of 5 m/s²</td> </tr> <tr> <td>bending cycles</td> <td>> 5 Mio.</td> </tr> <tr> <td>torsional strain</td> <td>± 180 °/m</td> </tr> </table>	bending radius for flexible use	min. 10 x cable diameter	travel speed	max. 3.3 m/s for a horizontal travel length of 5 m and max. acceleration of 5 m/s ²	bending cycles	> 5 Mio.	torsional strain	± 180 °/m
bending radius for flexible use	min. 10 x cable diameter								
travel speed	max. 3.3 m/s for a horizontal travel length of 5 m and max. acceleration of 5 m/s ²								
bending cycles	> 5 Mio.								
torsional strain	± 180 °/m								
Remarks									
Pack quantity	1 pcs.								

EVC951

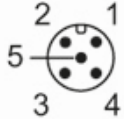


Connection cable

VDOAH050MSD0002C05STGH050MSS

Electrical connection - plug

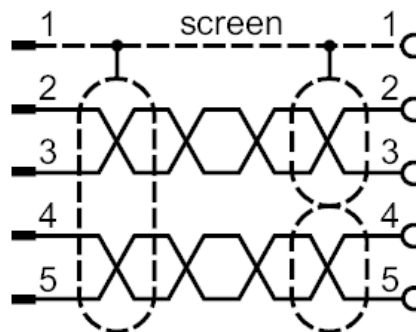
Connector: 1 x M12, straight; coding: A; Moulded body: TPU, black; Locking: brass, nickel-plated; Contacts: gold-plated; Tightening torque: 0.6...1.5 Nm



Electrical connection

Cable: 2 m, PUR, Halogen-free, lilac, \varnothing 8.4 mm, shielded; RD / BK: 2 x 0.75 mm² (42 x \varnothing 0.15 mm) + WH / BU: 2 x 0.5 mm² (19 x \varnothing 0.19 mm) + screen: 1 x 0.75 mm² (42 x \varnothing 0.15 mm)

Connection



Electrical connection - socket

Connector: 1 x M12, angled; coding: A; Moulded body: TPU, black; Locking: brass, nickel-plated; Sealing: FKM; Contacts: gold-plated; Tightening torque: 0.6...1.5 Nm

