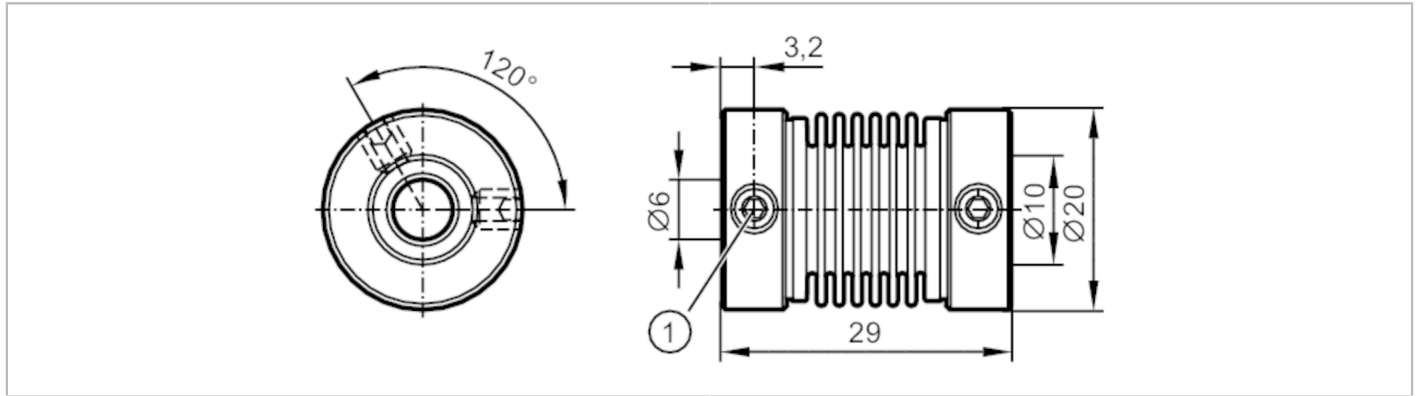


E60215



Flexible coupling with clamp connection

COUPLING V4A



Mechanical data	
Weight	[g] 35.4
Materials	flange: 1.4404 (V4A/316L); Bellow: 1.4571 (V4A/316Ti)
External diameter D	[mm] 20
Inside diameter A1	[mm] 6
Inside diameter A2	[mm] 10
Length L	[mm] 29
Depth of the clamping hub	[mm] 6.5
Clamp screw	[mm] M4
Max. revolution, mechanical	[U/min] 10000
Max. axial shaft misalignment	[mm] ± 0,4
Max. radial shaft misalignment	[mm] ± 0,25
Max. angular displacement	[°] ± 4,0
Remarks	
Remarks	The data indicated apply to couplings with the above hub borings at an ambient temperature of 23 °C. The values of radial, angular and axial displacement are maximum values which must not reach their maximum simultaneously while in operation.
Pack quantity	1 pcs.