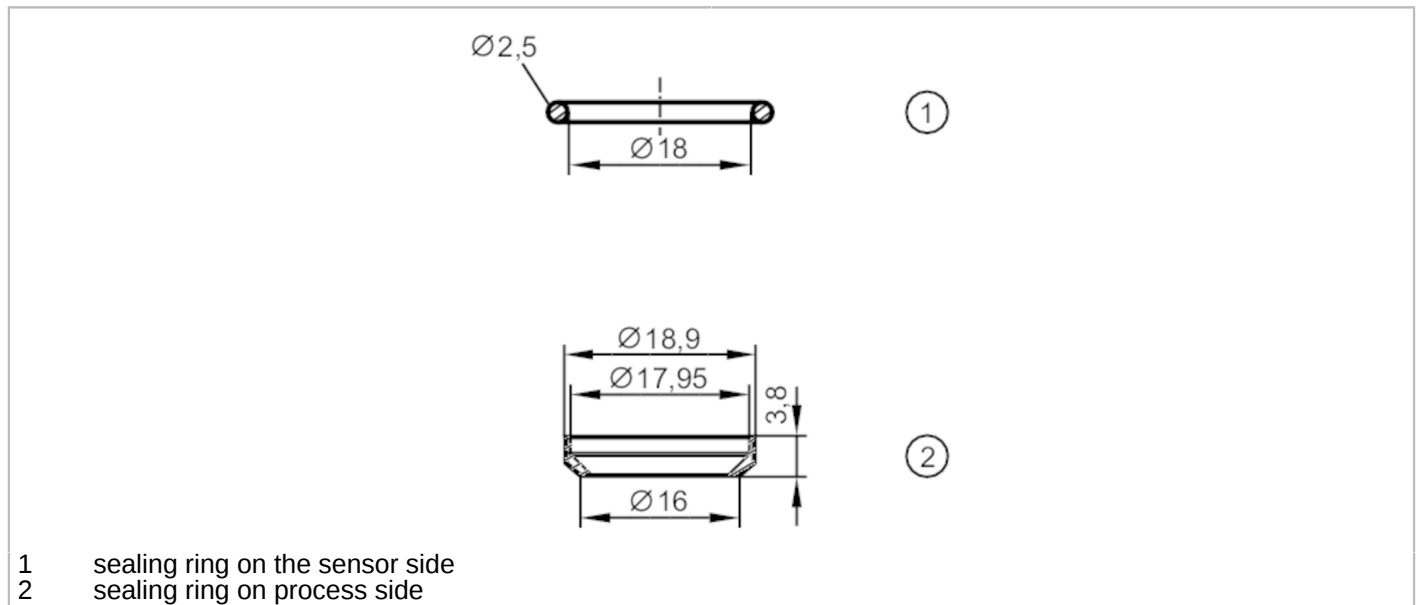


# E43911



## Gasket

3A TA PEEK-RING



EC 1935/2004 EHEDG Certified

Application	
Design	for sealing cone G 1/2
Mechanical data	
Weight [g]	4.5
Materials	sealing ring on the sensor side: FKM; sealing ring on process side: PEEK in contact with the medium
Remarks	
Pack quantity	1 pcs.