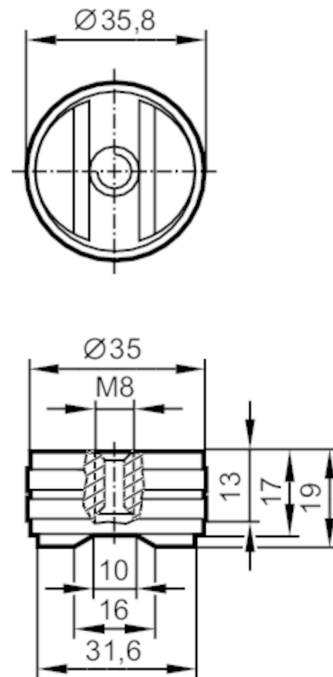


# E30448



## Magnetic mount for vibration sensors

MAGNETIC MOUNT M8 FOR VIBRATION SYSTEMS



### Application

Design for efector octavis

### Operating conditions

Ambient temperature [°C] -40...80

### Mechanical data

Weight [g] 159

Materials magnet: neodymium nickel-plated; steel galvanised; ;

Sensor connection M8 x 1,25 internal thread

Pull strength [N] 350

### Remarks

Pack quantity 1 pcs.