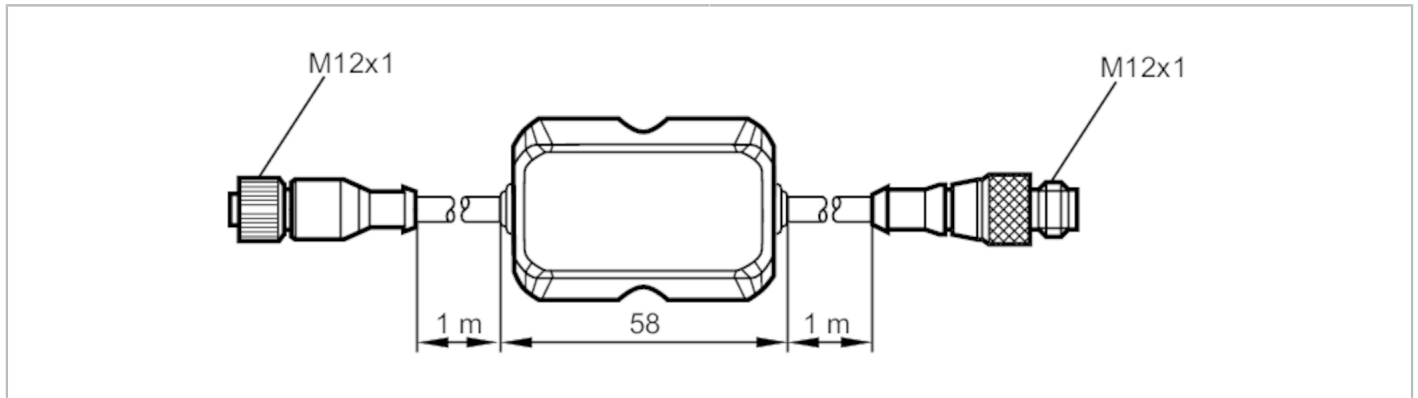


E30406



Voltage converter

VOLTAGE CONVERTER



Electrical data		
Nominal voltage DC	[V] 9...27	
Current consumption	[mA] < 500	
Protection class	III	
Reverse polarity protection	yes	
Outputs		
Short-circuit protection	yes	
Operating conditions		
Ambient temperature	[°C] -25...70	
Protection	IP 40	
Tests / approvals		
EMC	EN 61000-4-2 ESD	4 kV CD / 15 kV AD
	EN 61000-4-3 HF radiated	30 V/m (80...1000 MHz)
	EN 61000-4-4 Burst	2 kV coupling clamp
	EN 61000-4-6 HF conducted	10 V (0,15...80 MHz)
Mechanical data		
Weight	[g] 151	
Materials	PBT-GF20	
Sealing material	FKM	
Remarks		
Pack quantity	1 pcs.	
Electrical connection - socket		
Cable: 1 m, PUR		
Connector: 1 x M12; Moulded body: TPU, orange; Locking: brass, nickel-plated; Sealing: FKM		

E30406

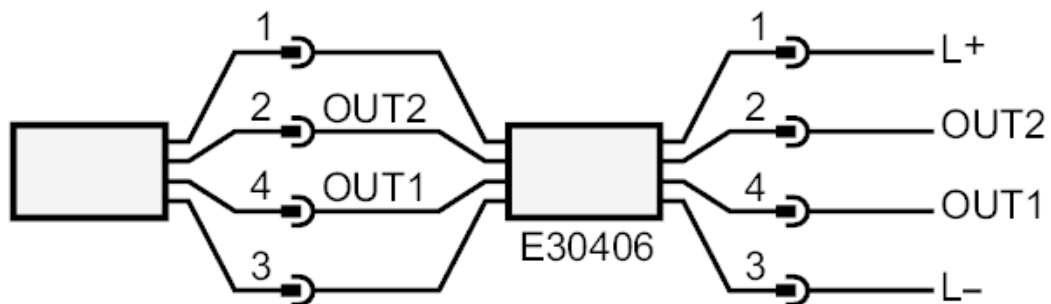


Voltage converter

VOLTAGE CONVERTER

Electrical connection

Connection



Electrical connection - plug

Cable: 1 m, PUR

Connector: 1 x M12; Moulded body: TPU, orange; Locking: brass, nickel-plated; Sealing: FKM