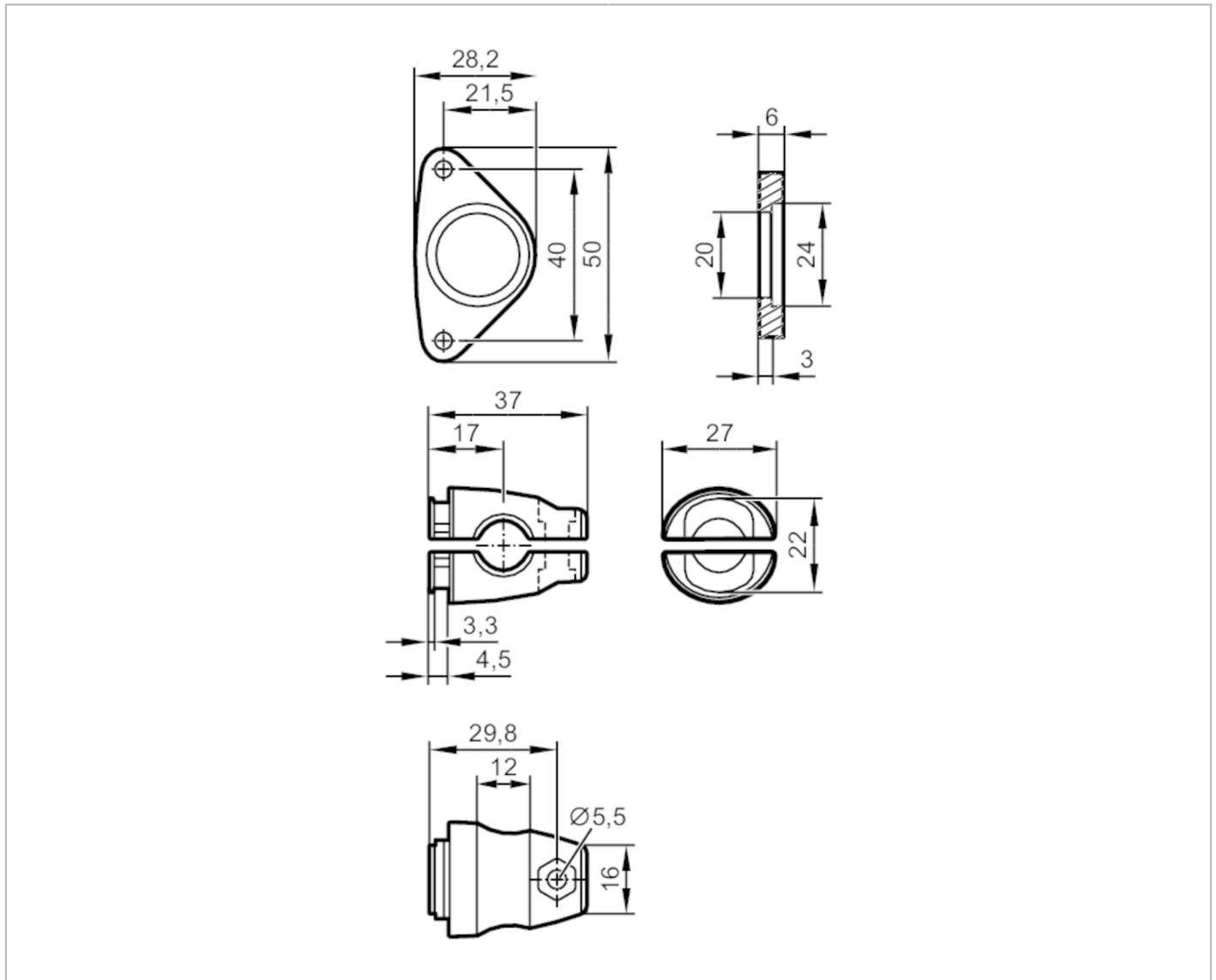


E2D118



Mounting set for photoelectric distance sensors

MOUNTING SET OPD 12MM



Application	
Design	clamp mounting
Mechanical data	
Weight [g]	121
Type of mounting	Mounting rod; (Ø 12 mm)
Materials	fixture: stainless steel (1.4305 / 303); Clamp: stainless steel (1.4408); screws: stainless steel; nut: stainless steel
Accessories	
Items supplied	socket head screws: 2 x M4 x 30
Remarks	
Pack quantity	1 pcs.

E2D118



Mounting set for photoelectric distance sensors

MOUNTING SET OPD 12MM

Diagrams and graphs

