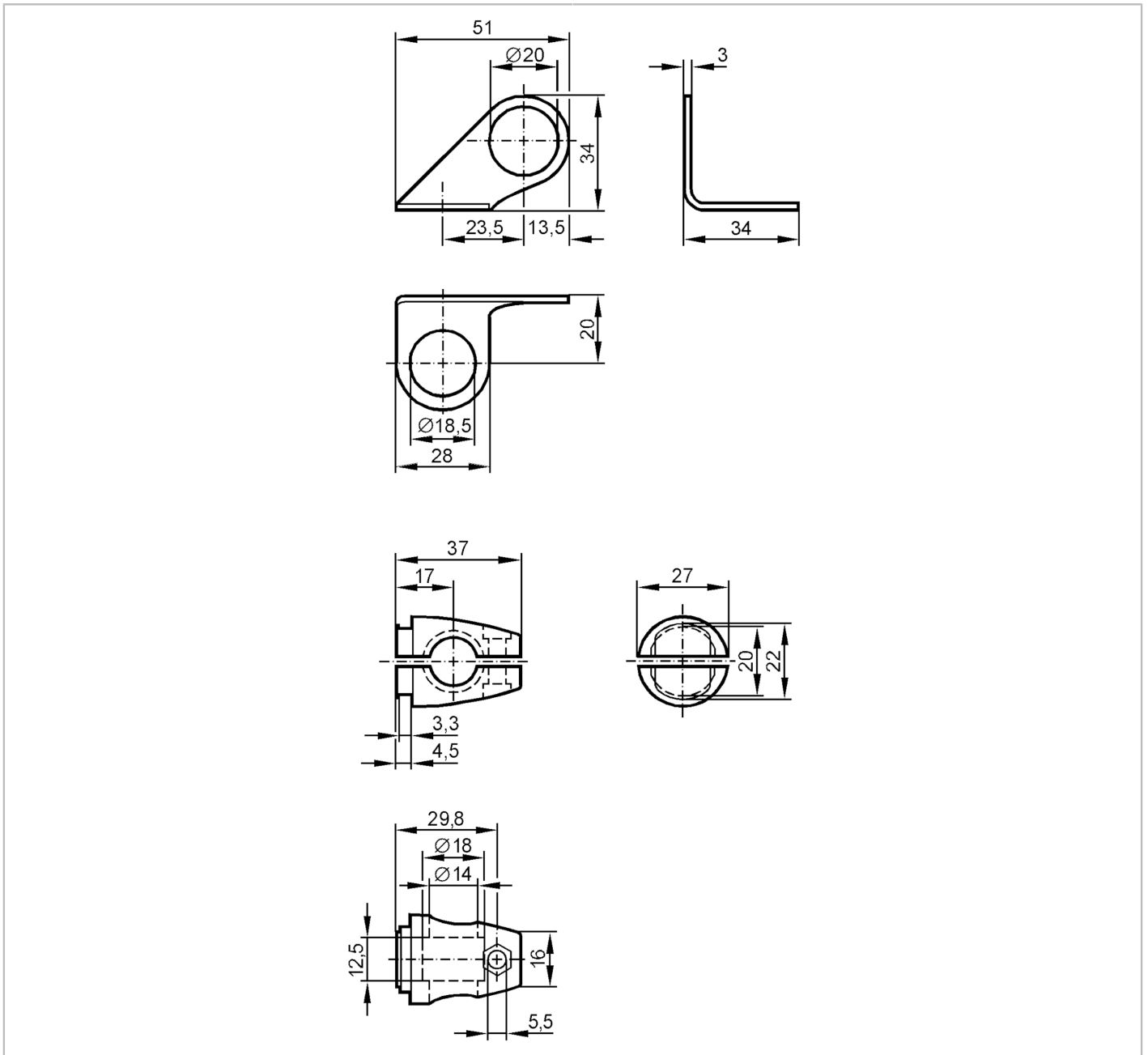


E20836



Mounting set for position sensors

MONTSATZ OG



Mechanical data

Weight	[g]	98.5
Type of mounting		Mounting rod; ($\varnothing 14$ mm)
Dimensions	[mm]	$\varnothing 18.5$
Materials		Clamp: diecast zinc nickel-plated; fixture: stainless steel (1.4571/316Ti)

Remarks

Pack quantity		1 pcs.
---------------	--	--------