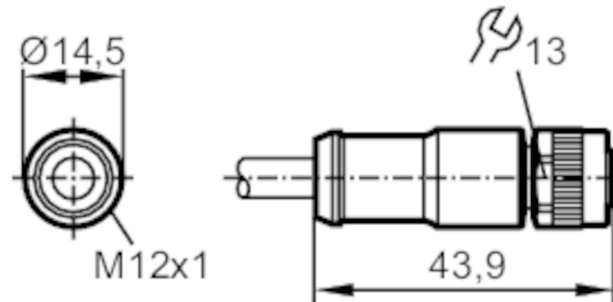


E20738



Connecting cable with socket

ADOGH080MSS0002B08



Application

Special feature Screened cable

Electrical data

Operating voltage [V] < 60 AC/DC

Operating conditions

Ambient temperature [°C] -25...85

Protection IP 67

Mechanical data

Weight [g] 125.5

Dimensions [mm] 14.5 x 14.5 x 43.9

Materials TPU

Moulded-body material TPU

Material nut diecast zinc, nickel-plated

Remarks

Pack quantity 1 pcs.

E20738



Connecting cable with socket

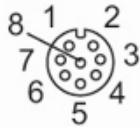
ADOGH080MSS0002B08

Electrical connection

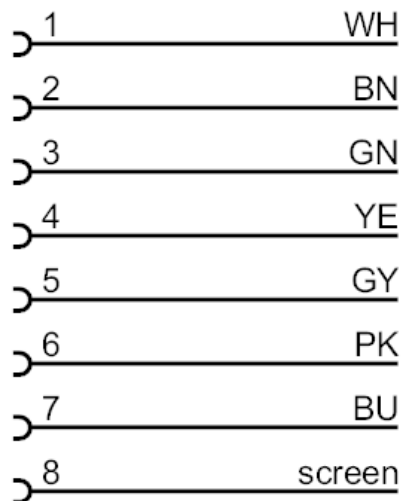
Cable: 2 m, PUR, black, shielded; 7 x 0.25 mm² (14 x Ø 0.15 mm)

Electrical connection - socket

Connector: 1 x M12, straight; coding: A; Moulded body: TPU; Locking: diecast zinc, nickel-plated



Connection



colours to DIN
47100

BN =	brown
BU =	blue
GN =	green
GY =	grey
PK =	pink
WH =	white
YE =	yellow
screen =	screen

Core colours :