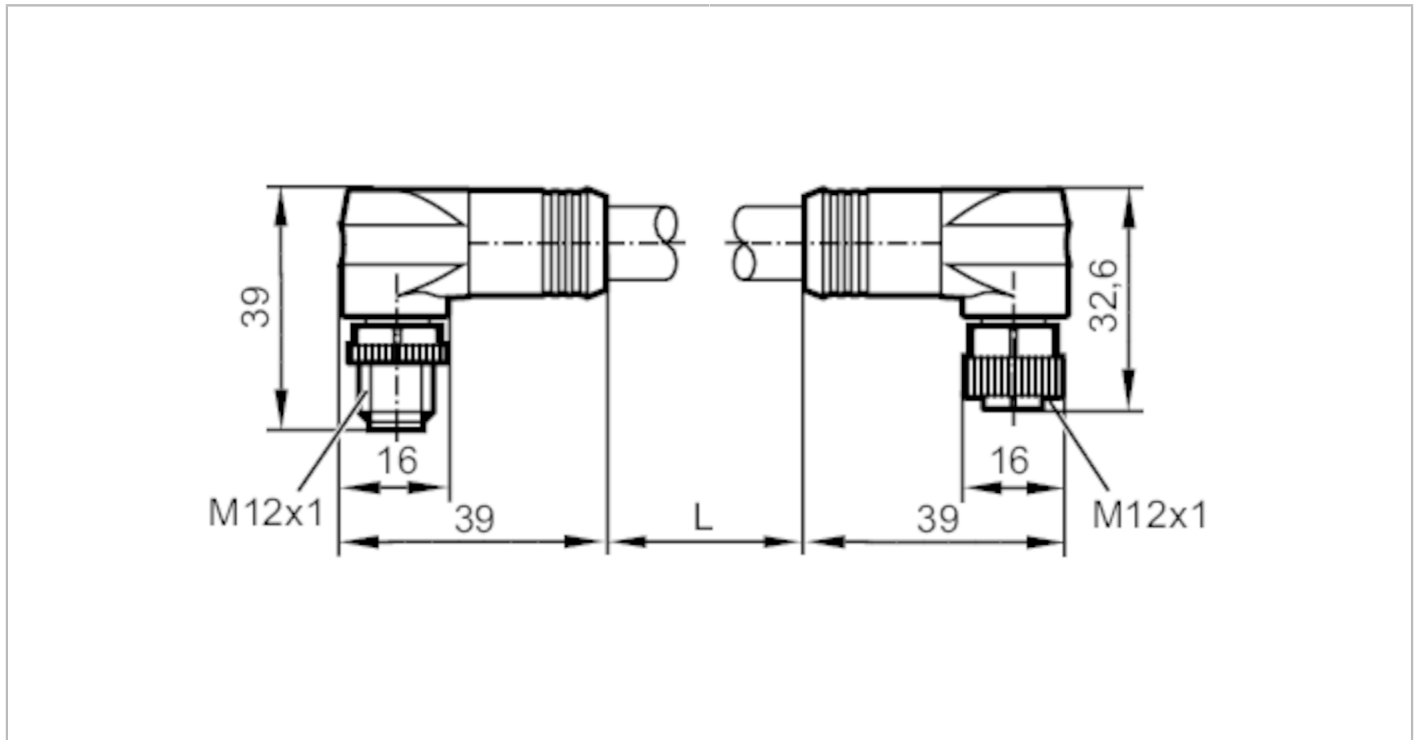


E12665



Connection cable

VDOAX050MSS0,25H05STAH005MSS



| Application | |
|-----------------------------|----------------------|
| Special feature | Gold-plated contacts |
| Design | power cable, L-coded |
| Electrical data | |
| Operating voltage [V] | 64 DC |
| Max. current load total [A] | 16 |
| Operating conditions | |
| Ambient temperature [°C] | -40...90 |
| Protection | IP 67 |
| Mechanical data | |
| Weight [g] | 103.1 |
| Materials | PP |
| Moulded-body material | TPE |
| Material nut | brass, nickel-plated |
| Remarks | |
| Pack quantity | 1 pcs. |

E12665



Connection cable

VDOAX050MSS0,25H05STAH005MSS

Electrical connection

Cable: 0.25 m, PUR, black, Ø 11.3 mm; 5 x 2.5 mm²

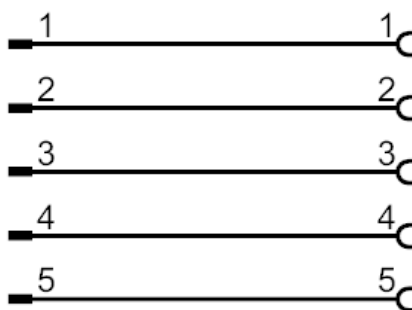
Electrical connection - plug

Connector: 1 x M12, angled; coding: L; Moulded body: TPE; Locking: brass, nickel-plated; Contacts: gold-plated



Electrical connection - 2

Connection



Electrical connection - socket

Connector: 1 x M12, angled; coding: L; Moulded body: TPE; Locking: brass, nickel-plated; Contacts: gold-plated

