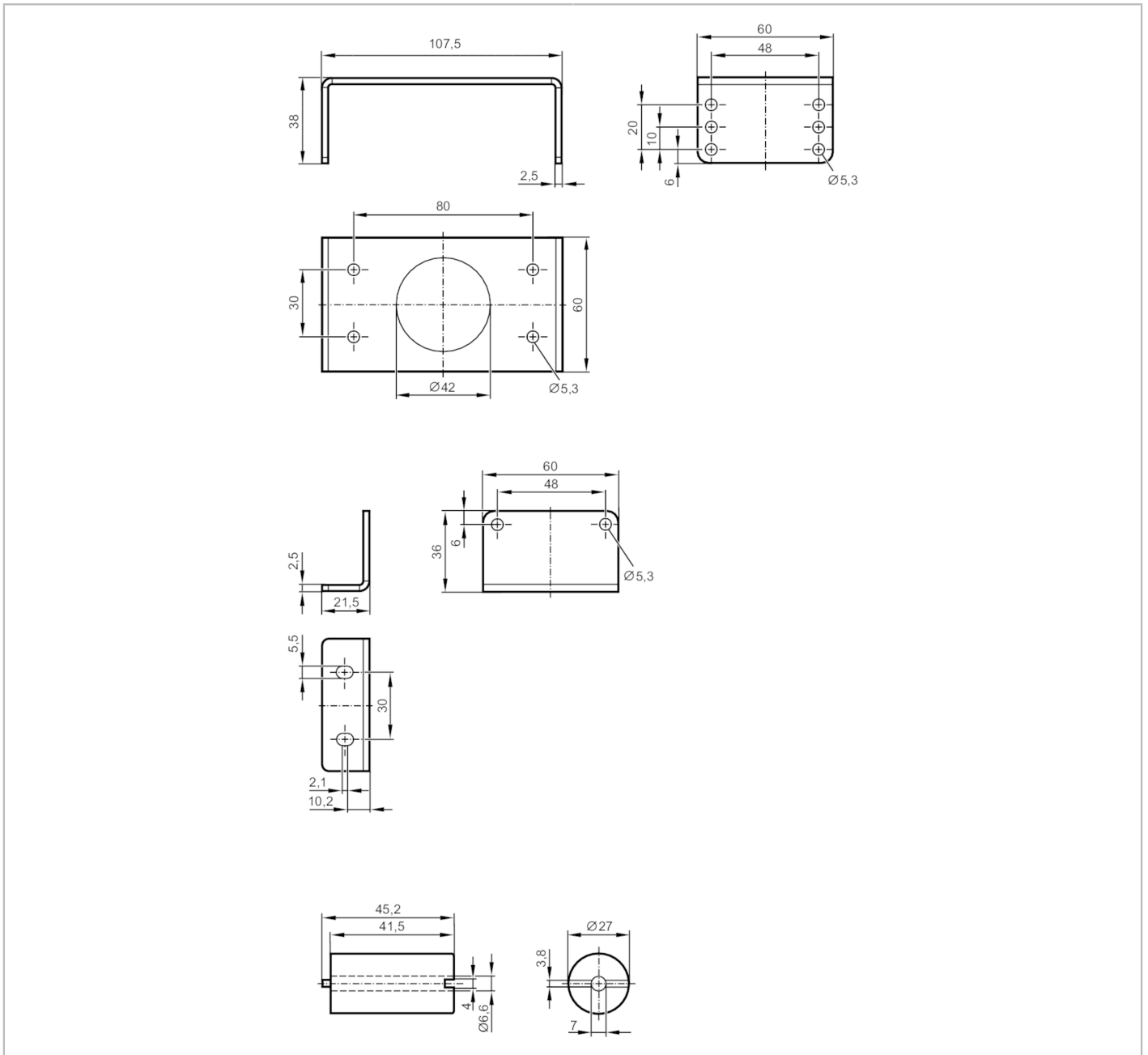


E12628



Mounting bracket

VALVE BRACKET 30-50MM



Application	
Design	for mechanical interfaces to pneumatic actuators VDI / VDE 3845
Mechanical data	
Weight [g]	454.5
Hole spacing for mounting bracket	80 / 130 mm
Shaft height for valve drive	30 / 40 / 50 mm
Materials	mounting bracket: stainless steel (1.4404 / 316L); shaft adapter: aluminium
Accessories	
Accessories (supplied)	socket head screw: 1 x M6 x 45, stainless steel socket head screws: 8 x M5 x 8, stainless steel hexagon nuts: 8 x M5, stainless steel

E12628



Mounting bracket

VALVE BRACKET 30-50MM

Remarks

Pack quantity

1 pcs.