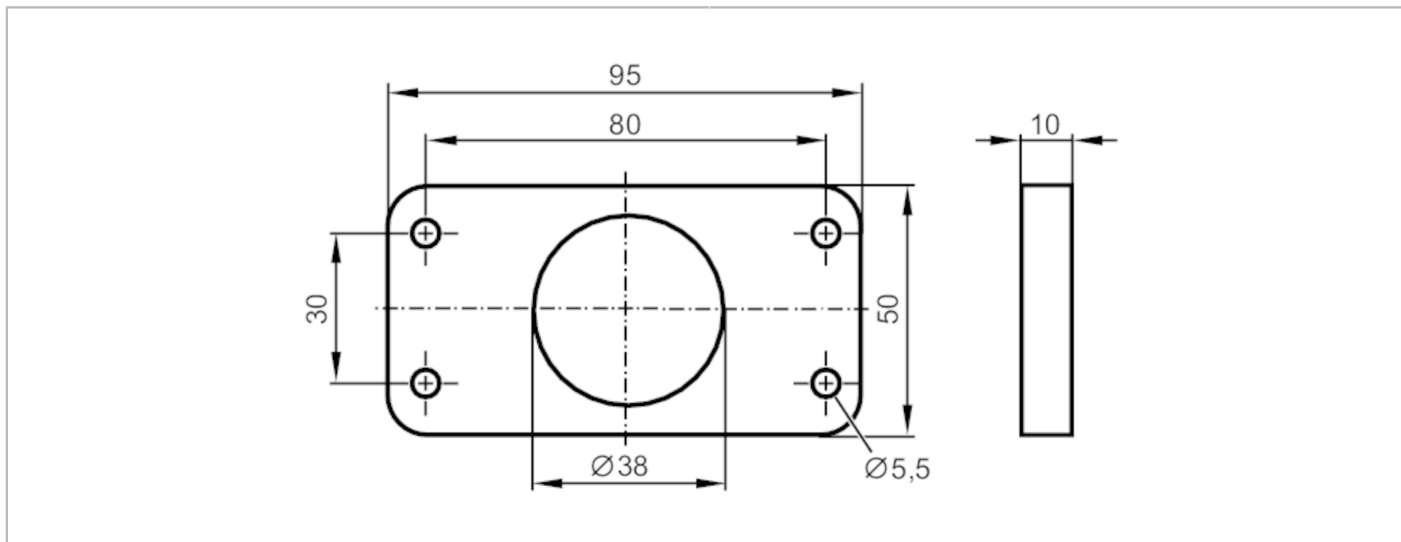


# E12569



## Mounting plate

ADAPTER 80X30X10



Application	
Design	for types MVQ
Mechanical data	
Weight [g]	71.6
Dimensions [mm]	50 x 95 x 10
Materials	POM black
Remarks	
Pack quantity	1 pcs.