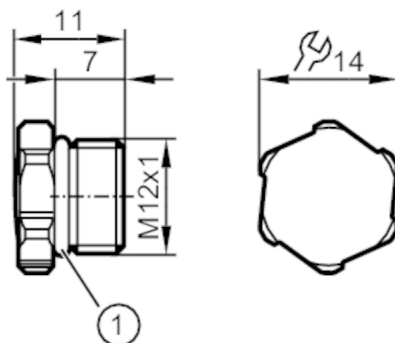


# E12542



## Protective cap

Protective cap M12 V4A 4pcs.



1: O-ring

### Application

Design	for hygienic and wet areas in the food industry
Installation	Use only with protection class III devices

### Operating conditions

Ambient temperature	[°C]	-25...100
---------------------	------	-----------

### Mechanical data

Weight	[g]	27.1
Materials	end caps: stainless steel (1.4404 / 316L); Sealing: EPDM	
Tightening torque	[Nm]	0.6; (Take into account the maximum value of the counterpart!)

### Remarks

Pack quantity	4 pcs.
---------------	--------