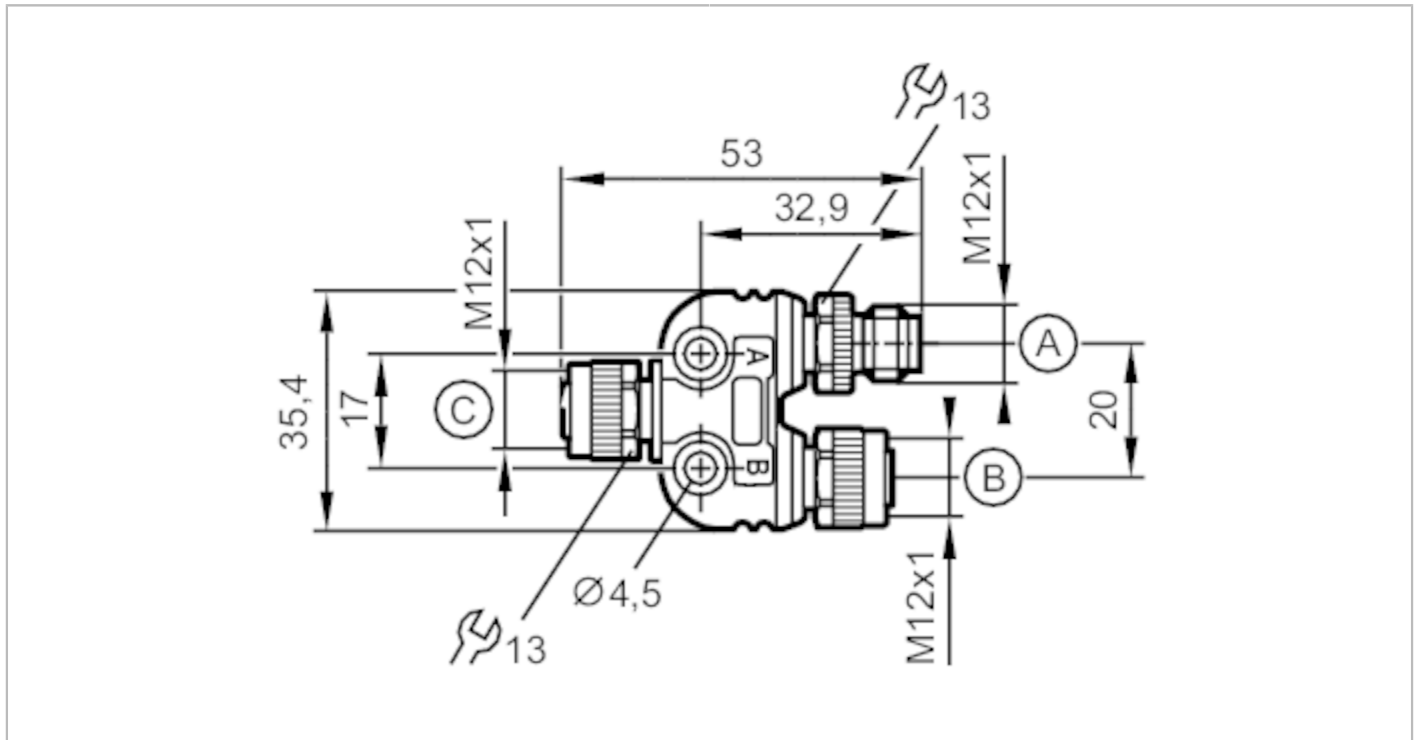


E12529



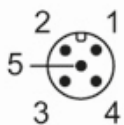
Y-splitter

ZDO2H050ZDS0000-00STGH050ZDS



Application	
Special feature	Free from silicone; Gold-plated contacts
Free from silicone	yes
Electrical data	
Operating voltage [V]	60 AC/DC
Protection class	II
Max. current load total [A]	4
Operating conditions	
Ambient temperature [°C]	-25...85
Protection	IP 68
Mechanical data	
Weight [g]	37.1
Materials	PUR black
Remarks	
Pack quantity	1 pcs.
Electrical connection - plug	

Connector: 1 x M12; Moulded body: PUR, Halogen-free; Contacts: gold-plated



E12529

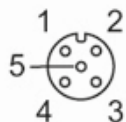


Y-splitter

ZDO2H050ZDS0000-00STGH050ZDS

Electrical connection - socket

Connector: 2 x M12; Moulded body: PUR, Halogen-free; Contacts: gold-plated



Connection

