

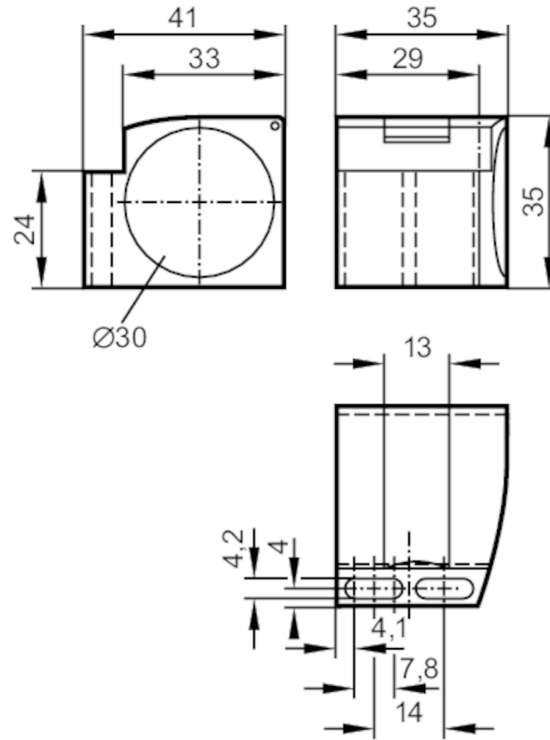
# E11180



## Mounting clamp for position sensors

MOUNTING CLAMP M30

Article no longer available - archive entry



### Application

Design without end stop

### Mechanical data

Inside diameter [mm] 30  
Materials PC

### Remarks

Pack quantity 1 pcs.