

E10098

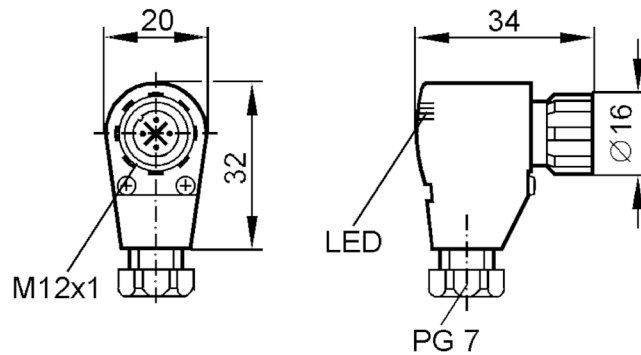


Wirable socket

SDOAH041PLSFKPG

Article no longer available - archive entry

replaced by: E11510



Electrical data

Operating voltage [V] 10...30 DC

Outputs

Electrical design PNP

Operating conditions

Ambient temperature [°C] -30...80

Protection IP 65

Mechanical data

Dimensions [mm] 20 x 34 x 32

Materials PA

Material nut PA

Displays / operating elements

Display switching status 1 x LED, yellow

Remarks

Pack quantity 1 pcs.

Electrical connection

terminals: ...0.5 mm²; Cable gland: PG 7

Electrical connection - socket

Connector: 1 x M12, angled; Moulded body: PA; Locking: PA

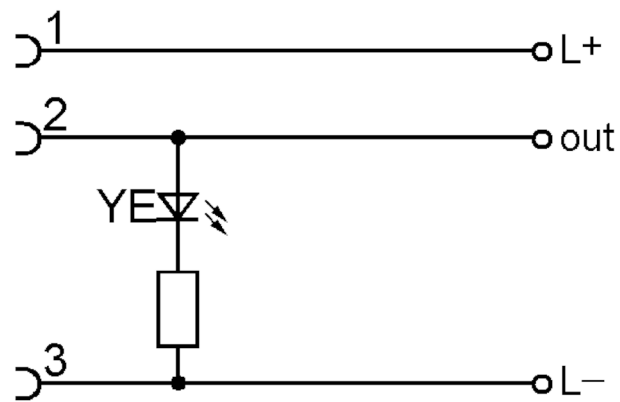
E10098

Wirable socket

SDOAH041PLSFKPG



Connection



Article no longer available - archive entry

replaced by: E11510