

E10064

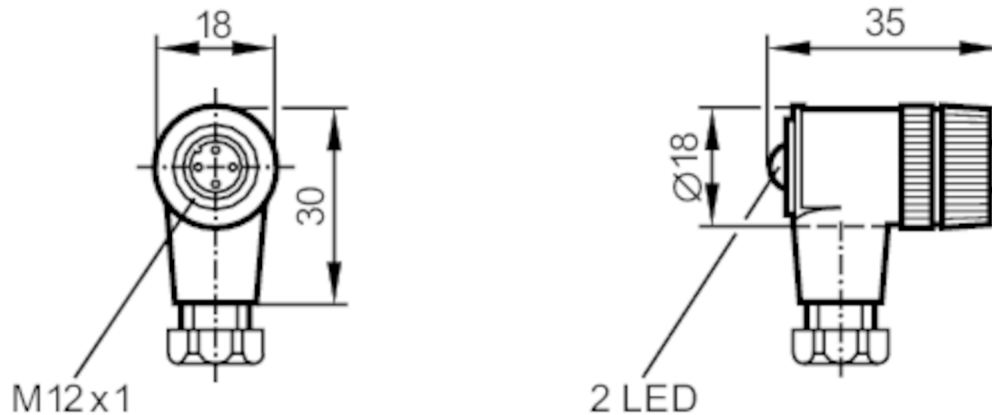


Wirable socket

SDOAH042PLSFKPG

Article no longer available - archive entry

replaced by: E11510



Electrical data

Operating voltage [V] 10...30 DC

Outputs

Electrical design PNP

Operating conditions

Ambient temperature [°C] -40...85

Protection IP 67

Mechanical data

Dimensions [mm] 30 x 18 x 35

Materials PBT; PA

Material nut PA

Displays / operating elements

Display	switching status	1 x LED, yellow
	operation	1 x LED, green

Remarks

Pack quantity 1 pcs.

Electrical connection

terminals: ...0.75 mm²; Cable sheath: Ø 4...6 mm

Electrical connection - socket

Connector: 1 x M12, angled; Moulded body: PBT / PA; Locking: PA

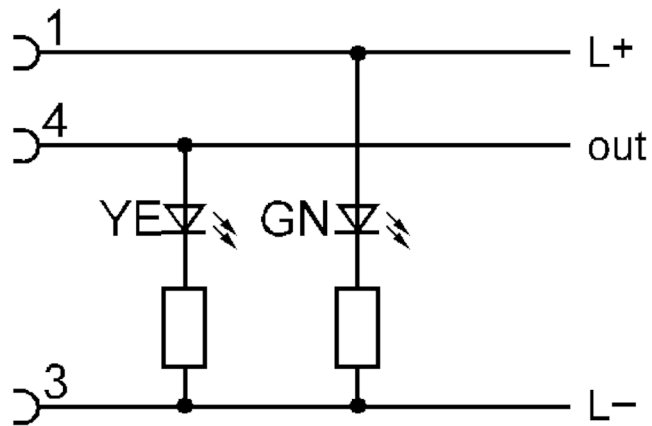
E10064

Wirable socket

SDOAH042PLSFKPG



Connection



Article no longer available - archive entry

replaced by: E11510