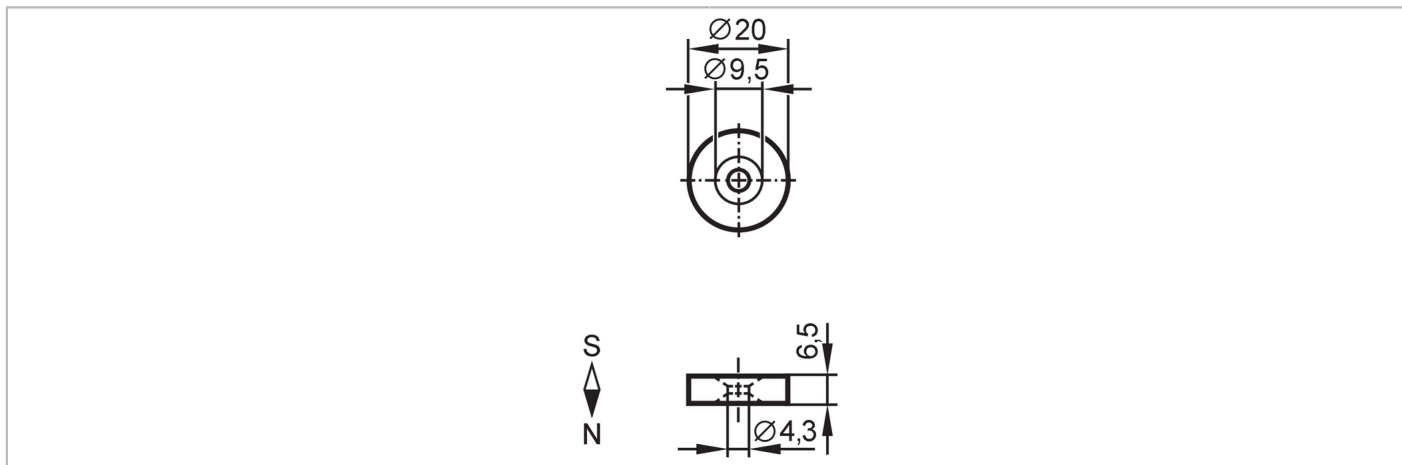


E10751



Damping magnet

MAGNET M3.0 HARD FERRITE



| Operating conditions | | |
|-------------------------|------|-------------------------------|
| Ambient temperature | [°C] | -25...250 |
| Mechanical data | | |
| Weight | [g] | 10.33 |
| Dimensions | [mm] | Ø 20 / L = 6.5 |
| Materials | | magnet: hard ferrite HF 24/23 |
| Magnetic field strength | [mT] | 110 |
| Remarks | | |
| Pack quantity | | 1 pcs. |