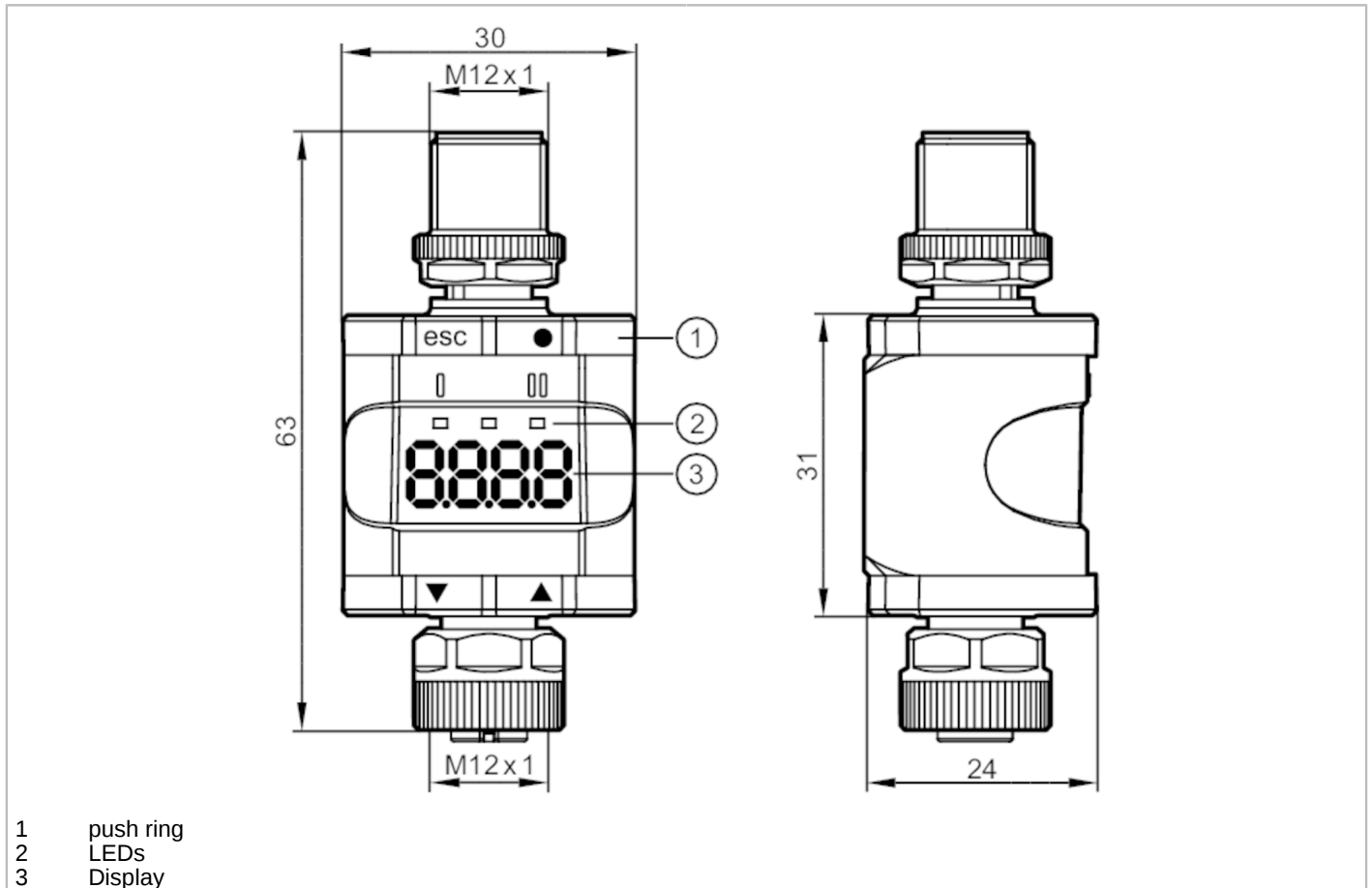


# DP2200



## Evaluation system and display for analogue signals

Analog Threshold Displ./4-20mA



Application	
Application	decentralised display, preprocessing and conversion of analogue signals
Electrical data	
Operating voltage [V]	18...30 DC; (to SELV/PELV)
Nominal voltage DC [V]	24
Current consumption [mA]	30...900
Max. current load total [A]	0.8
Inputs / outputs	
Number of inputs and outputs	Number of analogue inputs: 1; Number of digital outputs: 1; Number of analogue outputs: 1
Inputs	
Sensor supply of the inputs	from operating voltage
Number of analogue inputs	1
Analogue input (current) [mA]	4...20
Outputs	
Number of digital outputs	1
Voltage range DC [V]	10...30
Output function	normally open / normally closed; (parameterisable)
Max. current load per output [mA]	50
Number of analogue outputs	1



## Evaluation system and display for analogue signals

Analog Threshold Displ./4-20mA

Analogue current output	[mA]	4...20
Resolution of analogue output		10 Bit
<b>Accuracy / deviations</b>		
Accuracy		0.75; (% of the final value of the measuring range analogue output)
<b>Interfaces</b>		
Communication interface		IO-Link
Supported DeviceIDs	<b>Type of operation</b>	<b>DeviceID</b>
	default	610
<b>IO-Link Device</b>		
Transmission type		COM2 (38,4 kBaud)
IO-Link revision		1.1
SDCI standard		IEC 61131-9
Profiles		Smart Sensor
SIO mode		yes
Required master port type		A
Process data analogue		1
Process data binary		1
Min. process cycle time	[ms]	3
<b>Operating conditions</b>		
Ambient temperature	[°C]	-25...60
Storage temperature	[°C]	-25...70
Max. relative air humidity	[%]	90; (linearly decreasing to 50 % (40 °C); non condensing)
Max. height above sea level	[m]	4000
Protection		IP 67
Pollution degree		2
<b>Tests / approvals</b>		
MTTF	[years]	373
<b>Mechanical data</b>		
Weight	[g]	108
Dimensions	[mm]	63 x 30 x 24
Materials		PA
<b>Displays / operating elements</b>		
Display	switching status	LED, yellow
	operation	LED, green
		7-segment LED display, red/green 4-digit parameterisable
		digit height 6,8 mm
		digit width 3,8 mm
<b>Accessories</b>		
Accessories (optional)		mounting clip
<b>Remarks</b>		
Remarks		For further information please see the operating instructions.
Pack quantity		1 pcs.



## Evaluation system and display for analogue signals

Analog Threshold Displ./4-20mA

### Electrical connection - plug

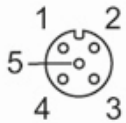
Connector: 1 x M12; coding: A



1: L+	supply
2: OUT2	analogue output
3: L-	supply
4: OUT1	IO-Link (C/Q)

### Electrical connection - socket

Connector: 1 x M12; coding: A



1: L+	Sensor supply
2: 4...20 mA	analogue input
3: L-	Sensor supply
4:	not used
5:	not used