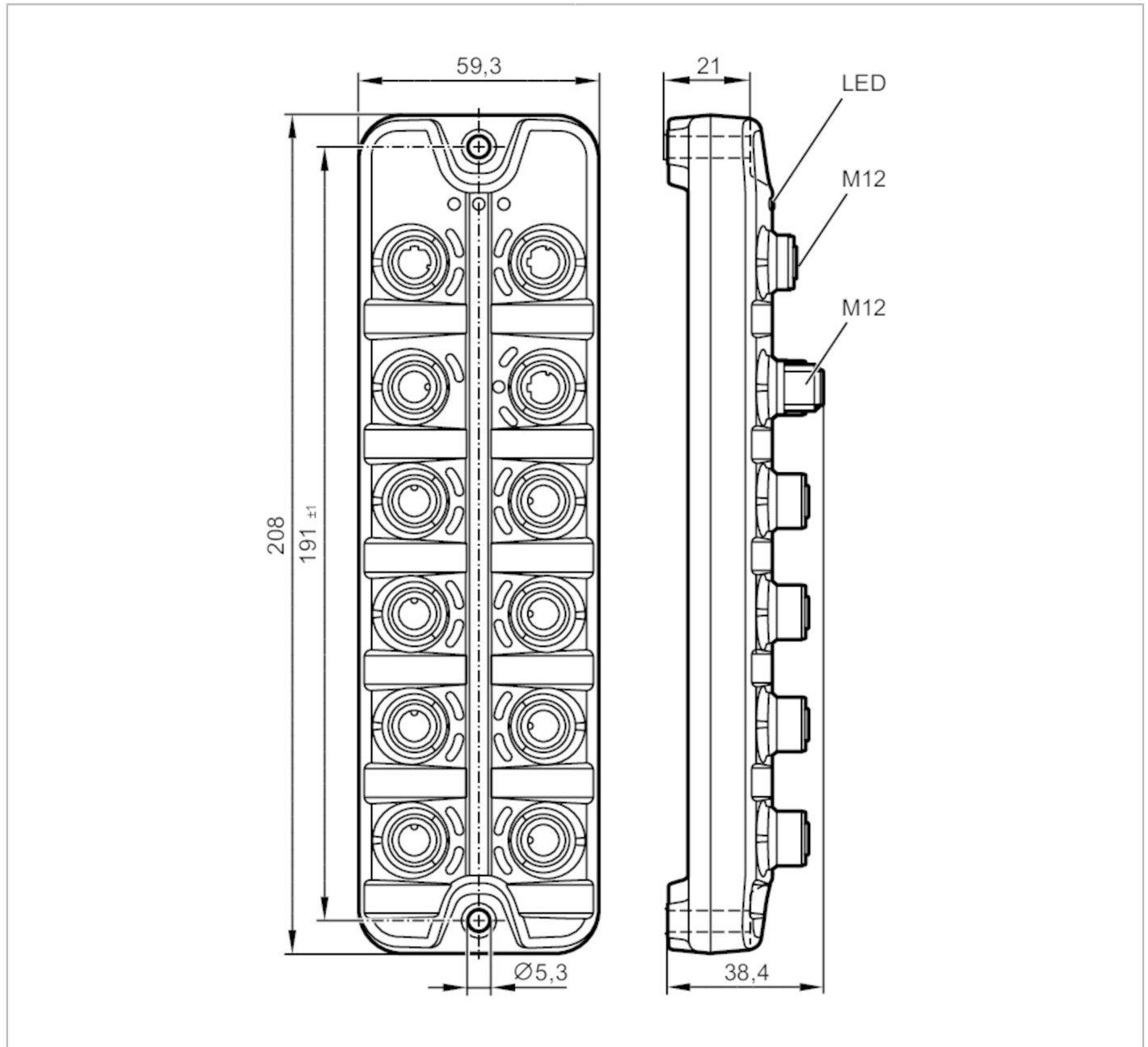


# AL1332



## IO-Link master with EtherCAT interface

IO-Link Master DL EC 8P IP67



| Application                 |                                    |
|-----------------------------|------------------------------------|
| Application                 | I/O modules for field applications |
| Daisy-chain function        | fieldbus interface                 |
| Electrical data             |                                    |
| Operating voltage [V]       | 20...30 DC; (US; to SELV/PELV)     |
| Current consumption [mA]    | 300...3900; (US)                   |
| Protection class            | III                                |
| Sensor supply US            |                                    |
| Max. current load total [A] | 3.6                                |



## IO-Link master with EtherCAT interface

IO-Link Master DL EC 8P IP67

| Inputs / outputs                                |  |
|---|--|
| Total number of inputs and outputs              | 16; (configurable)   |
| Number of inputs and outputs                    | Number of digital inputs: 16; Number of digital outputs: 8 |
| Inputs  |  |
| Number of digital inputs                        | 16; (IO-Link Port Class A: 8 x 2)                          |
| Switching level high [V]                        | 11...30  |
| Switching level low [V]                         | 0...5  |
| Digital inputs protected against short circuits | yes  |
| Outputs   |  |
| Number of digital outputs                       | 8; (IO-Link Port Class A: 8 x 1)                           |
| Max. current load per output [mA]               | 300  |
| Short-circuit proof                             | yes  |
| Interfaces                                      |  |
| Communication interface                         | Ethernet; IO-Link  |
| Ethernet - EtherCAT                             |  |
| Transmission standard                           | 100Base-TX   |
| Transmission rate                               | 100 MBit/s   |
| Protocol  | EtherCAT   |
| Factory settings                                | MAC address: see type label                                |
| Note on interfaces                              | AoE (ADS over EtherCAT)                                    |
|   | CoE (CANopen over EtherCAT)                                |
|   | EoE (Ethernet over EtherCAT)                               |
|   | FoE (File Access over EtherCAT)                            |
| Ethernet - Internet of Things                   |  |
| Transmission standard                           | 10Base-T; 100Base-TX                                       |
| Transmission rate                               | 10 MBit/s; 100 MBit/s                                      |
| Protocol  | MQTT JSON  |
| Factory settings                                | IP address: 169.254.x.x                                    |
|   | subnet mask: 255.255.0.0                                   |
|   | gateway IP address: 0.0.0.0                                |
|   | MAC address: see type label                                |
| Note on interfaces                              | Secure protocol: HTTPS                                     |
| IO-Link Master                                  |  |
| Transmission type                               | COM1 (4,8 kBaud); COM2 (38,4 kBaud); COM3 (230,4 kBaud)    |
| IO-Link revision                                | 1.1  |
| Number of ports class A                         | 8  |
| Operating conditions                            |  |
| Ambient temperature [°C]                        | -25...60   |
| Storage temperature [°C]                        | -25...85   |
| Max. relative air humidity [%]                  | 90   |
| Protection                                      | IP 65; IP 66; IP 67  |
| Protection rating (NEMA 250)                    | 6P   |
| Pollution degree                                | 2  |

# AL1332



## IO-Link master with EtherCAT interface

IO-Link Master DL EC 8P IP67

|                |                                |   |
|----------------|--------------------------------|---|
| Chemical media | ISO 16750-5<br>NEMA 250 5.13.1 | AA, BA, BD, HLP, CC, DB, DC, DD, CA<br>AA |
|----------------|--------------------------------|---|

### Tests / approvals

|                      |   |    |
|----------------------|---|----|
| EMC                  | EN 61000-6-2<br>EN 61000-6-4                          |    |
| Shock resistance     | DIN EN 60068-2-27                                     |    |
| Vibration resistance | DIN EN 60068-2-64 2009-04<br>DIN EN 60068-2-6 2008-10 |    |
| MTTF [years]         |   | 78 |

### Mechanical data

|                  |   |
|------------------|---|
| Weight [g]       | 404   |
| Materials        | housing: PA orange; socket: brass nickel-plated |
| Sealing material | FKM   |

### Remarks

|               |  |
|---------------|--|
| Remarks       | For further information please see the operating instructions. |
| Pack quantity | 1 pcs.   |

### Electrical connection - Ethernet

Connector: M12; coding: D; Sealing: FKM



### EtherCAT X21, X22

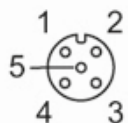
|   |          |
|---|----------|
| 1 | TX +     |
| 2 | RX +     |
| 3 | TX -     |
| 4 | RX -     |
| 5 | not used |

### IoT X23

|   |          |
|---|----------|
| 1 | TX +     |
| 2 | RX +     |
| 3 | TX -     |
| 4 | RX -     |
| 5 | not used |

### Electrical connection - Process connection

Connector: M12; coding: A; Sealing: FKM



# AL1332



## IO-Link master with EtherCAT interface

IO-Link Master DL EC 8P IP67

### IO-Link Port Class A X01...X08

|   |                       |
|---|-----------------------|
| 1 | Sensor supply (US) L+ |
| 2 | digital input         |
| 3 | Sensor supply (US) L- |
| 4 | C/Q IO-Link           |
| 5 | not used              |

### Electrical connection - power supply

Connector: M12; coding: A



### X31

|   |                |
|---|----------------|
| 1 | + 24 V DC (US) |
| 2 | not used       |
| 3 | GND (US)       |
| 4 | not used       |