

AC2307

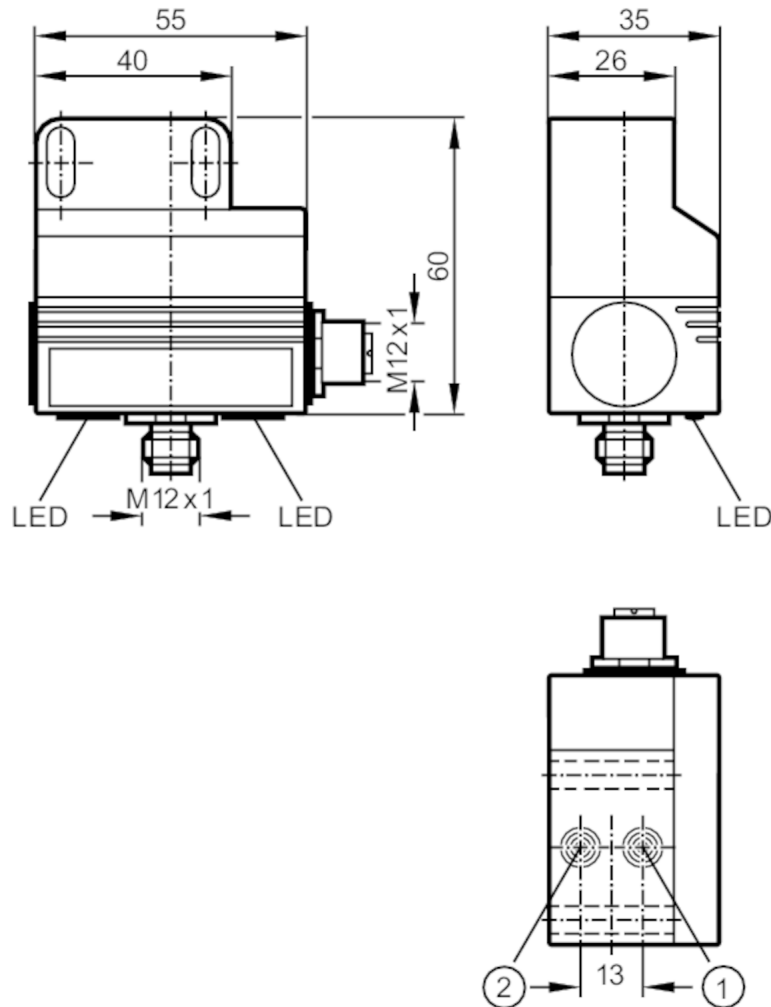


AS-Interface dual sensor for pneumatic valve actuators

DUAL SENSOR T6 2SI 2DO T M12

Article no longer available - archive entry

Alternative article: AC2317 When selecting an alternative article and accessories please note that technical data may differ! – When selecting an alternative article and accessories please note that technical data may differ!



- 1 sensor 1
- 2 sensor 2



Product characteristics

Sensing range	[mm]	4
Dimensions	[mm]	55 x 60 x 35

Electrical data

Operating voltage	[V]	26.5...31.6 DC
-------------------	-----	----------------

Detection zone

Sensing range	[mm]	4
---------------	------	---

Operating conditions


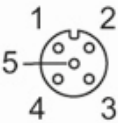
Ambient temperature	[°C]	-20...70
Protection		IP 67

AC2307



AS-Interface dual sensor for pneumatic valve actuators

DUAL SENSOR T6 2SI 2DO T M12

Tests / approvals		
EMC		EN 50081-1
		EN 61000-6-2
AS-i classification		
AS-i I/O configuration	[hex]	7
AS-i ID code	[hex]	F
AS-i certificate		15101
Mechanical data		
Mounting		non-flush mountable
Dimensions	[mm]	55 x 60 x 35
Materials		PBT; PC; plug: stainless steel; socket: stainless steel
Displays / operating elements		
Display	operation	1 x LED, green
	function	1 x LED, red
Remarks		
Pack quantity		1 pcs.
Electrical connection - plug		
Elektrischer Anschluss		
1	AS-i+	
3	AS-i -	
Connector: 1 x M12		
		
Electrical connection - socket		
Ausgänge		
2	switching output 2 +	
3	external voltage -	
4	switching output 1 +	
Connector: 1 x M12		
		
Connection		

AC2307



AS-Interface dual sensor for pneumatic valve actuators

DUAL SENSOR T6 2SI 2DO T M12

Article no longer available - archive entry

Alternative article: AC2317 When selecting an alternative article and accessories please note that technical data may differ! – When selecting an alternative article and accessories please note that technical data may differ!