

AC2054

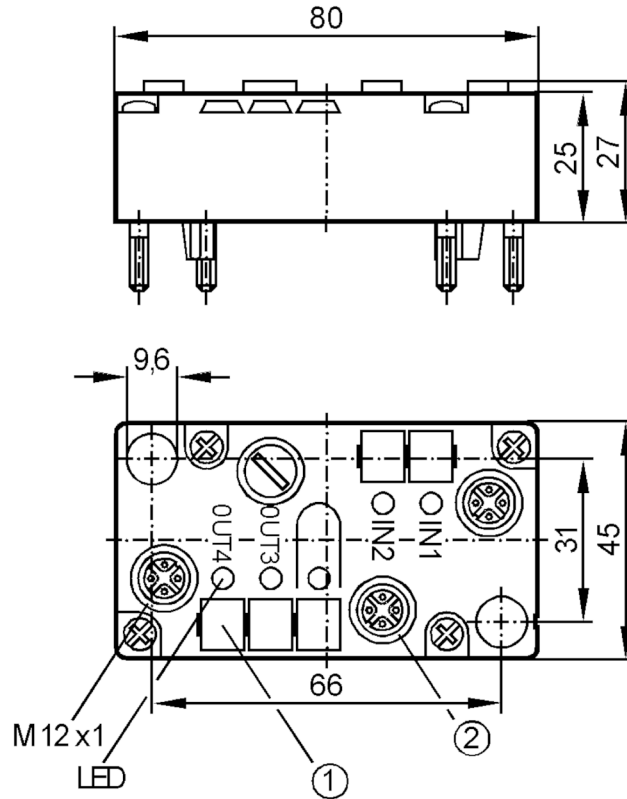


AS-Interface CompactLine module

MoviswitchModule 2DI/2DO T M12

Article no longer available - archive entry

replaced by: AC5224



- 1 panel for labelling
- 2 MOVISWITCH-Port I2/O3



Electrical data

Operating voltage	[V]	26.5...31.6 DC
Current consumption	[mA]	135
Max. current load total	[A]	0.09
Integrated watchdog		yes

Inputs / outputs

Number of inputs and outputs	Number of digital inputs: 2; Number of digital outputs: 2
------------------------------	---



AS-Interface CompactLine module

MoviswitchModule 2DI/2DO T M12

Inputs					
Number of digital inputs				2	
Input circuit of digital inputs				PNP	
Sensor supply of the inputs				AS-i	
Voltage supply	[V]			20...30	
Max. total current rating of inputs	[mA]			90	
Input current High	[mA]			> 5	
Input current Low	[mA]			< 1.5	
Min. switching level high signal	[V]			10	
Digital inputs protected against short circuits				yes	
Outputs					
Electrical design				AS-i	
Number of digital outputs				2	
Max. current load per output	[mA]			90	
Short-circuit proof				yes	
Electrically separated				no	
Operating conditions					
Ambient temperature	[°C]			-25...85	
Protection				IP 67	
Tests / approvals					
EMC			EN 50295		
AS-i classification					
AS-i profile				S-3.F	
AS-i I/O configuration	[hex]			3	
AS-i ID code	[hex]			F	
AS-i certificate				04201	
Assignment of the data bits	data bit	D0	D1	D2	D3
	socket	IN1	IN2	IN2	OUT4
	pin	2+4	4	2	4
Mechanical data					
Type of mounting				AS-i interface to FC and SC lower parts	
Materials				PBT	
Displays / operating elements					
Display	operation			LED, green	
	function			LED, yellow	
Remarks					
Remarks	The module upper part with MOVISWITCH port is used as an interface to SEW motor drives.				
	The port on socket S2 includes a combined output and input to turn the motor on and off. Feedback in the case of overload.				
	An additional input on socket 1 and an output on socket 4 can also be used.				
Pack quantity				1 pcs.	

AC2054



AS-Interface CompactLine module

MoviswitchModule 2DI/2DO T M12

Electrical connection

contact pins to module lower part, FK / PG:

1	supply L+
2	switching output 3 release
3	supply L- IN2 (IN2 / OUT 3)
4	data input 2 ready
	Inputs
1	Sensor supply L+
2+4	data input internally bridged
3	Sensor supply L-

Connector: M12

Connector: M12



Article no longer available - archive entry

replaced by: AC5224