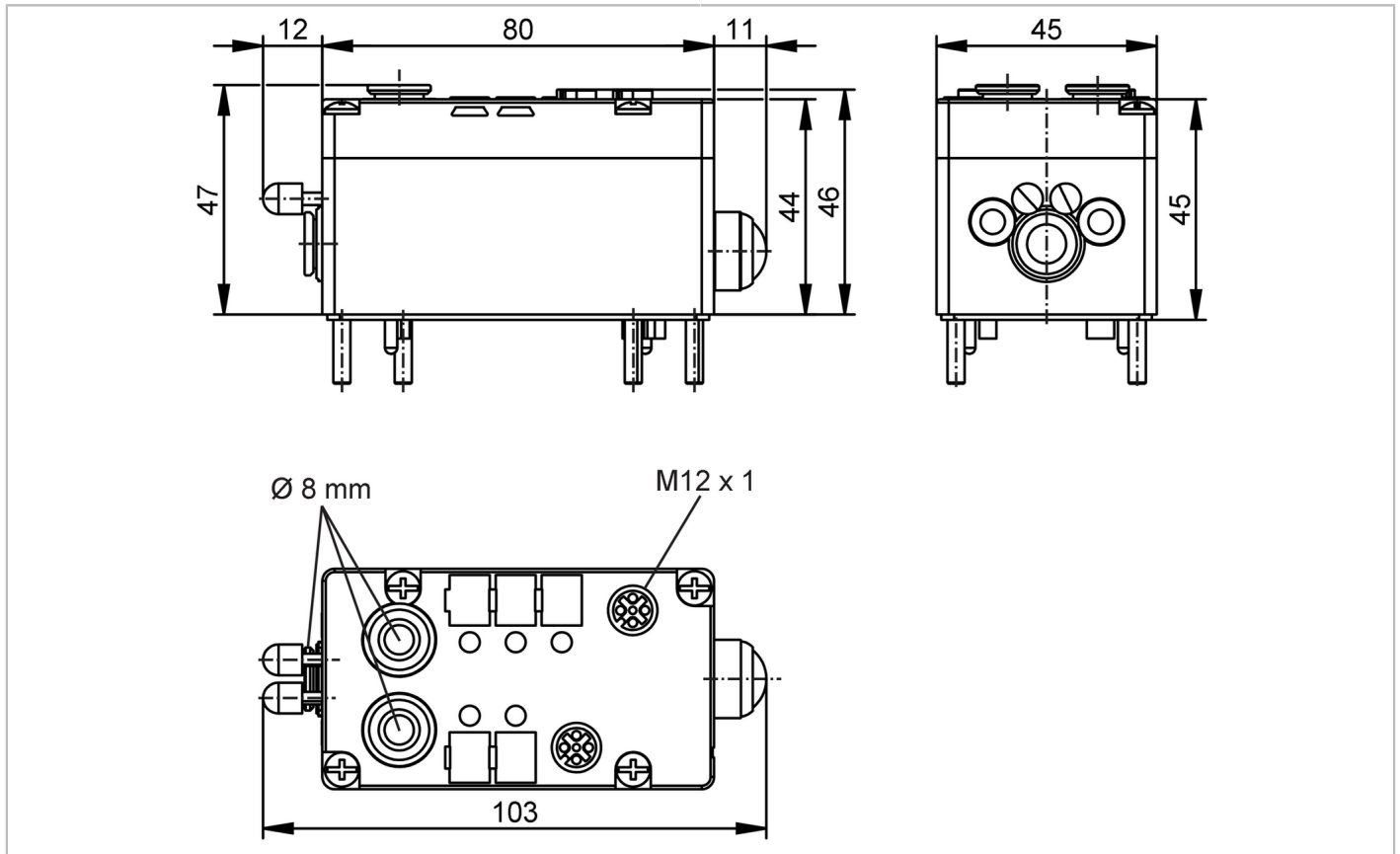


AC2024



AS-Interface AirBox

AirBox 2DI 2PO M12



Application	
Application	field installation; for use in wet environments
Electrical data	
Operating voltage [V]	26.5...31.6 DC
Max. current consumption from AS-i [mA]	150
Integrated watchdog	yes
Inputs / outputs	
Number of inputs and outputs	Number of digital inputs: 2; Number of pneumatic outputs: 2
Inputs	
Number of digital inputs	2
Input circuit of digital inputs	PNP
Sensor supply of the inputs	AS-i
Voltage supply [V]	20...30
Max. total current rating of inputs [mA]	100
Input current High [mA]	> 3
Input current Low [mA]	< 1.5
Switching level high [V]	> 10
Digital inputs protected against short circuits	yes



AS-Interface AirBox

AirBox 2DI 2PO M12

Outputs											
Number of pneumatic outputs	2										
Actuator supply outputs	AS-i										
Operating conditions											
Ambient temperature [°C]	0...55										
Note on ambient temperature	with special compressed air treatment: < 0 °C the derating of the current load indicated in the operating instructions is to be taken into account at the following ambient temperature: > 50 °C										
Storage temperature [°C]	-20...80										
Max. relative air humidity [%]	90; (non condensing)										
Max. height above sea level [m]	2000										
Protection	IP 65										
Pollution degree	2										
Tests / approvals											
EMC	EN 62026-2										
	EN IEC 61000-6-2										
	EN IEC 61000-6-4										
	EN IEC 61326-1										
AS-i classification											
Extended addressing mode	no										
AS-i master profile	M2; M3; M4										
AS-i profile	S-3.F.F										
AS-i I/O configuration [hex]	3										
AS-i ID code [hex]	F.F										
Assignment of the data bits	<table border="1"> <thead> <tr> <th>data bit</th> <th>D0</th> <th>D1</th> <th>D2</th> <th>D3</th> </tr> </thead> <tbody> <tr> <td>Inputs / outputs</td> <td>I-1</td> <td>I-2</td> <td>O-3</td> <td>O-4</td> </tr> </tbody> </table>	data bit	D0	D1	D2	D3	Inputs / outputs	I-1	I-2	O-3	O-4
data bit	D0	D1	D2	D3							
Inputs / outputs	I-1	I-2	O-3	O-4							
Mechanical data											
Weight [g]	253.5										
Housing	rectangular										
Type of mounting	AS-i interface to FC and SC lower parts										
Dimensions [mm]	103 x 45 x 46										
Materials	housing: PBT										
Pneumatic system	2 x 3/2-way seat valves										
Operating pressure range [bar]	2...8										
Note on working pressure range	incl. possible pressure peaks										
Air flow at 6/5 bar [l/min]	350										
Air flow at 6/0 bar [l/min]	550										
Permissible compressed air	filtered (5 µm); lubricated (ISO-VG10) or not lubricated										
Tube fittings	Legris LF 3000/8										
Exhaust	integrated exhaust										
Displays / operating elements											
Display	operation	LED, green (AS-i)									
	switching status	LED, yellow (I1...I2, O3...O4)									



AS-Interface AirBox

AirBox 2DI 2PO M12

Electrical connection

Module connection	Flat cables
-------------------	-------------

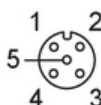
Remarks

Remarks	Please see the notes on compressed air and EMC/ESD under "Downloads"
Pack quantity	1 pcs.

Electrical connection - socket I-1

contact pins to module lower part, FK / PG:

Connector: M12; coding: A; Contacts: 4

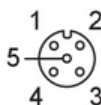


	Inputs
1	Sensor supply L+
2+4	data input internally bridged I1
3	Sensor supply L-

Electrical connection - socket I-2

contact pins to module lower part, FK / PG:

Connector: M12; coding: A; Contacts: 4



	Inputs
1	Sensor supply L+
2+4	data input internally bridged I2
3	Sensor supply L-