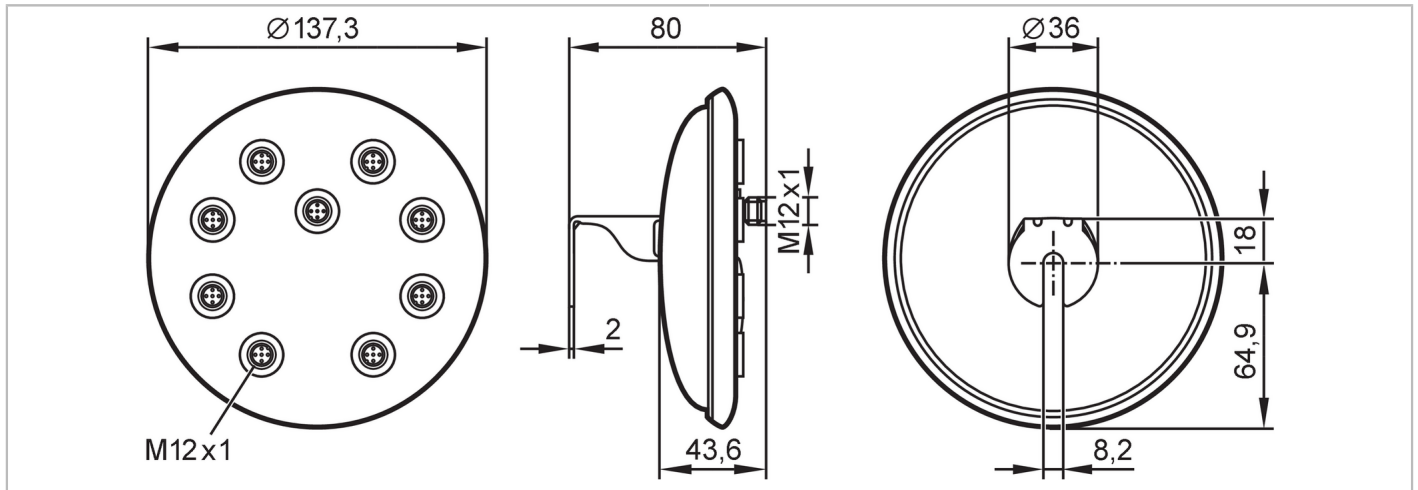


AC200A



AS-Interface ProcessLine module

ProcessLine 8 SB II 3D/3G



Application	
Application	AS-i ATEX module
Electrical data	
Operating voltage [V]	26.5...31.6 DC
Max. current load per module/slot [A]	2; (AS-i: 2 A; AUX: 2 A)
Max. current load total [A]	2
Additional voltage supply [V]	20...30 DC; (AUX)
Operating conditions	
Ambient temperature [°C]	-15...60
Storage temperature [°C]	-15...70
Max. relative air humidity [%]	90; (non condensing)
Max. height above sea level [m]	2000
Protection	IP 67; (when used outside the hazardous area: IP 68, IP 69K)
Pollution degree	2
Tests / approvals	
ATEX marking	<div style="display: flex; align-items: center;"> 3G Ex ec IIC T6 Gc X </div> <div style="display: flex; align-items: center;"> 3D Ex tc IIIC T 85°C Dc X </div>
EMC	EN 62026-2 EN 61000-6-2
Mechanical data	
Weight [g]	630.1
Housing	cylindrical
Type of mounting	mounting base
Dimensions [mm]	Ø 137.3 / L = 80
Materials	housing: stainless steel; O-ring: EPDM; Protective caps: PP
Sealing material	EPDM
Electrical connection	
Module connection	M12

AC200A



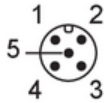
AS-Interface ProcessLine module

ProcessLine 8 SB II 3D/3G

Accessories	
Items supplied	Protective cap: 8 x M12, E70297
Accessories (optional)	Torque wrench:, E70390
Remarks	
Pack quantity	1 pcs.

Electrical connection - plug

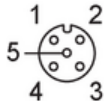
Connector: 1 x M12; coding: A; Sealing: EPDM



1	AS-i+
2	0 V
3	AS-i -
4	+24 V
5	FE

Electrical connection - socket

Connector: 8 x M12; coding: A; Sealing: EPDM



1	AS-i+
2	0 V
3	AS-i -
4	+24 V
5	FE