



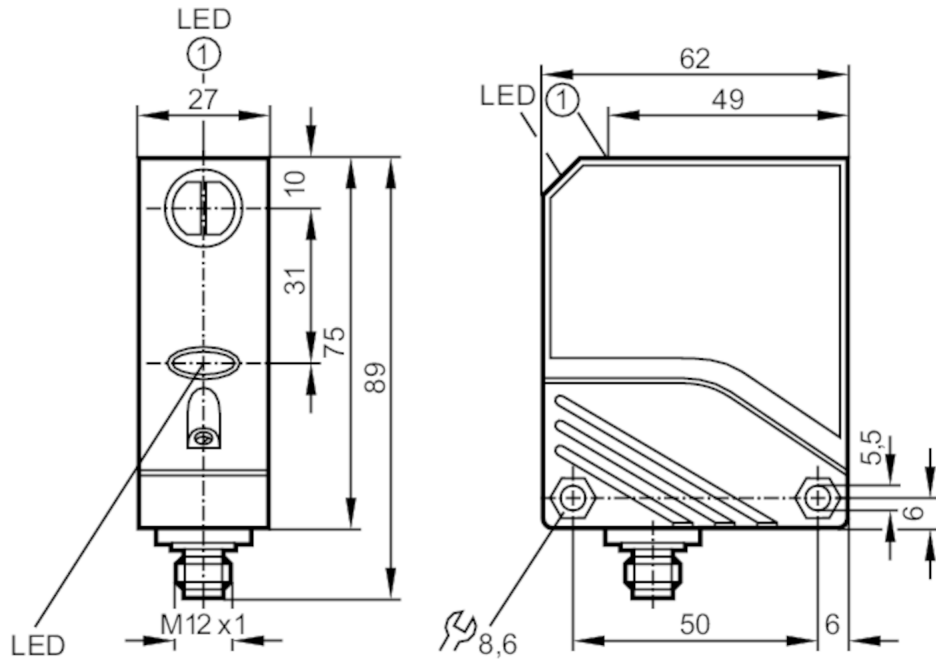
## Retro-reflective sensor

OLPLFPKG/US-100

Article no longer available - archive entry

Alternative articles: O5P700 + E21122

When selecting an alternative article and accessories please note that technical data may differ!



1 pushbutton

### Product characteristics

Type of light	red light
Laser protection class	2
Housing	rectangular

### Application

Function principle	Retro-reflective sensor
--------------------	-------------------------

### Electrical data

Operating voltage	[V]	10...30 DC
Current consumption	[mA]	< 30; (operation; \$Einstellung: < 50 mA)
Protection class		II
Reverse polarity protection		yes
Type of light		red light
Wave length	[nm]	675
Typ. lifetime	[h]	50000

### Outputs

Electrical design		PNP
Output function		light-on/dark-on mode; (parameterisable)
Max. voltage drop switching output DC	[V]	2.5
Max. voltage drop of function check output	[V]	3.5

# OL5022



## Retro-reflective sensor

OLPLFPKG/US-100

Max. current load for function check output [mA]	10
Permanent current rating of switching output DC [mA]	200
Switching frequency DC [Hz]	500
Short-circuit protection	yes
Type of short-circuit protection	pulsed
Overload protection	yes

### Detection zone

Range [m]	0.2...13; (Prismatic reflector Ø 80 E20005)
Range adjustable	yes
Diameter of the smallest detectable object [mm]	3
Max. light spot diameter [mm]	25
Light spot dimensions refer to	at maximum range

### Operating conditions

Ambient temperature [°C]	-10...50
Protection	IP 67

### Tests / approvals

EMC	EN 60947-5-2	
	EN 55011	class B
Laser protection class		2
Notes on laser protection	Caution:	laser light
	pulse performance:	<= 2,2 mW
	Wave length:	675 nm
	frequency:	2,2 kHz
	Pulse length:	24 µs
	Do not stare into beam.	
	Avoid exposure to the laser light.	
	laser class:	2
		EN 60825-1

### Mechanical data

Housing	rectangular
Dimensions [mm]	75 x 27 x 62
Materials	PBT
Lens material	PMMA

### Displays / operating elements

Display	switching status	1 x LED, yellow
	operation	1 x LED, green
	function	1 x LED, red

### Remarks

Pack quantity	1 pcs.
---------------	--------

# OL5022



## Retro-reflective sensor

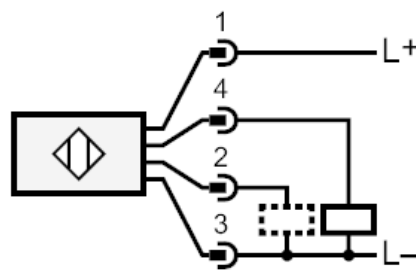
OLPLFPKG/US-100

### Electrical connection

Connector: 1 x M12; coding: A



### Connection



2 Function check output



## Retro-reflective sensor

OLPLFPKG/US-100

### Diagrams and graphs

excess gain graph

