

SF3005

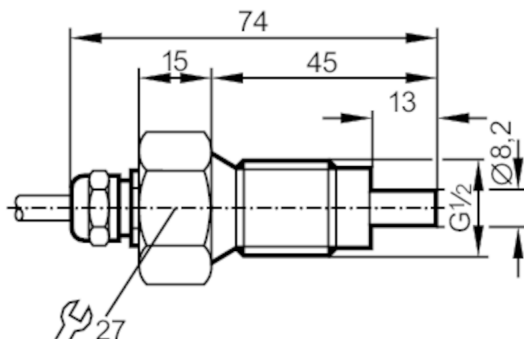


Flow sensor for connection to an evaluation unit

SFR12ADB

Article no longer available - archive entry

replaced by: SF5350 + E40096



Application

Application	high pressure
Media	Liquids; Gases
Medium temperature [°C]	-25...80
Pressure rating [bar]	300

Liquids

Application	high pressure
Medium temperature [°C]	-25...80

Gases

Medium temperature [°C]	-25...80
-------------------------	----------

Electrical data

Connection to control monitor	VS 0200
-------------------------------	---------

Measuring/setting range

Liquids

Setting range [cm/s]	3...300
Greatest sensitivity [cm/s]	3...60

Gases

Setting range [cm/s]	200...2000
Greatest sensitivity [cm/s]	200...800

Accuracy / deviations

Temperature gradient [K/min]	15
------------------------------	----

Response times

Response time [s]	1...10
-------------------	--------

Liquids

Response time [s]	1...10
-------------------	--------

Gases

Response time [s]	1...10
-------------------	--------

Operating conditions

Protection	IP 67
------------	-------

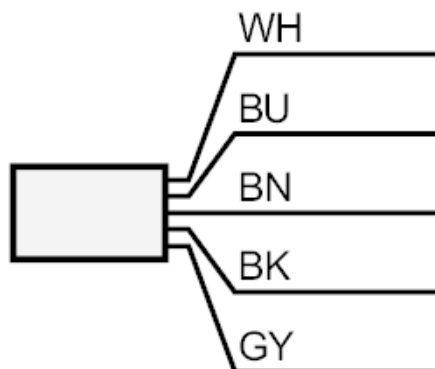
SF3005



Flow sensor for connection to an evaluation unit

SFR12ADB

Tests / approvals		
Shock resistance	DIN IEC 68-2-27	40 g (11 ms)
Vibration resistance	DIN IEC 68-2-6	10 g (55...2000 Hz)
Mechanical data		
Housing	threaded type	
Materials	stainless steel (1.4571/316Ti)	
Materials (wetted parts)	stainless steel (1.4571/316Ti)	
Process connection	G 1/2 external thread	
Remarks		
Pack quantity	1 pcs.	
Electrical connection		
Cable: 2 m, PUR; Maximum cable length: 100 m; 5 x 0.34 mm ² , PVC		
Connection		



Core colours :	
BN =	brown
BU =	blue
BK =	black
WH =	white
GY =	grey

Article no longer available - archive entry

replaced by: SF5350 + E40096