

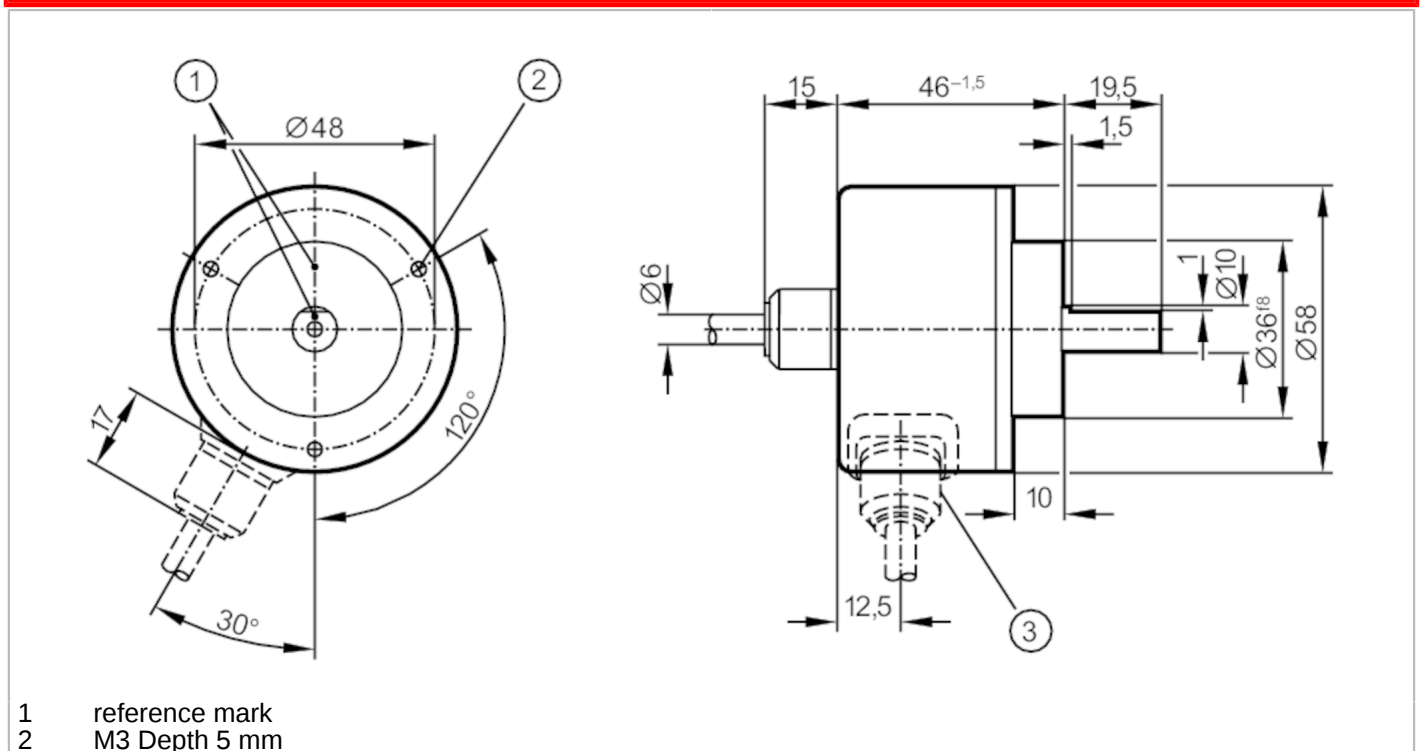
RV1015



Incremental encoder with solid shaft

RV-0420-I05/L2

Article no longer available - archive entry



Product characteristics	
Resolution	420 resolution
Shaft design	solid shaft
Shaft diameter [mm]	10
Electrical data	
Operating voltage tolerance [%]	10
Operating voltage [V]	5 DC
Current consumption [mA]	150
Outputs	
Electrical design	TTL
Max. current load per output [mA]	20
Switching frequency [kHz]	300
Phase difference A and B [°]	90
Measuring/setting range	
Resolution	420 resolution
Operating conditions	
Ambient temperature [°C]	-30...100
Note on ambient temperature	for firmly laid cable: -30 °C
Storage temperature [°C]	-30...100
Max. relative air humidity [%]	98
Protection	IP 64

RV1015



Incremental encoder with solid shaft

RV-0420-105/L2

Tests / approvals

Shock resistance		100 g (6 ms)
Vibration resistance		10 g (55...2000 Hz)

Mechanical data

Dimensions [mm]	Ø 58 / L = 46
Materials	aluminium
Max. revolution, mechanical [U/min]	12000
Max. starting torque [Nm]	1
Reference temperature torque [°C]	20
Shaft design	solid shaft
Shaft diameter [mm]	10
Shaft material	steel (1.4104)
Max. shaft load axial (at the shaft end) [N]	10
Max. shaft load radial (at the shaft end) [N]	20

Electrical connection

Cable: 2 m, PUR; axial

brown	A
green	A inverted
grey	B
pink	B inverted
red	0 index
black	0 index inverted
blue	L+ sensor
white	0V sensor
brown/green	L+ (Up)
white/green	0V (Un)
lilac	failure inverted
screen	housing

Diagrams and graphs

Pulse diagram	<p>Output A Output B 0 index</p>
---------------	--

Article no longer available - archive entry