

# PN3020

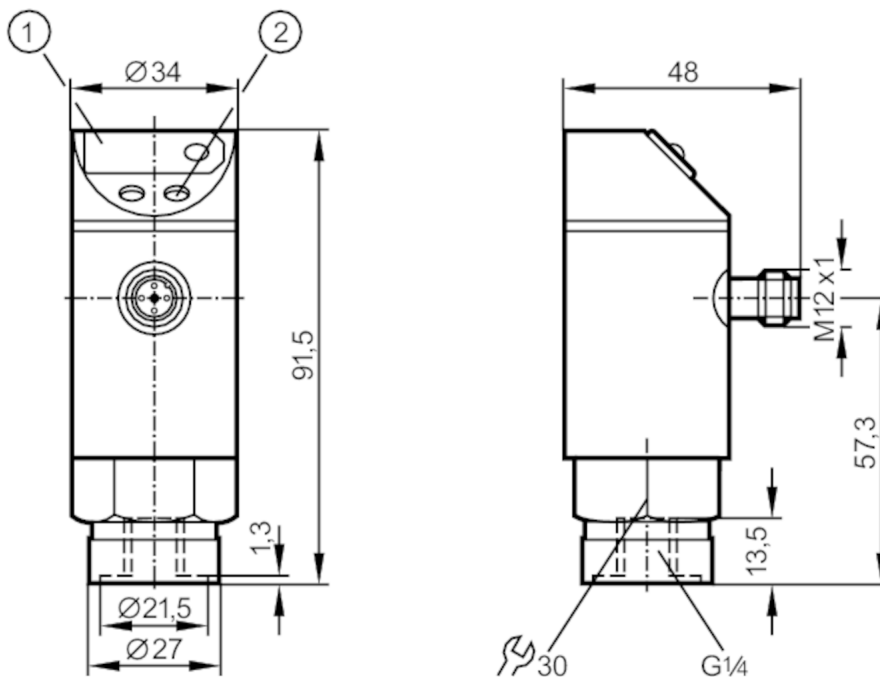


## Pressure sensor with display

PN-400-SBR14-KFPKG/US/ IV

Article no longer available - archive entry

replaced by: PN3000



- 1 7-segment LED display
- 2 programming button



### Product characteristics

Output signal	switching signal; analogue signal; (configurable)
Measuring range [bar]	0...400
Process connection	threaded connection G 1/4 internal thread

### Application

Special feature	Gold-plated contacts
Application	for industrial applications
Media	liquids and gases
Conditionally suitable for	For gaseous media the application is limited to max. 25 bar.
Medium temperature [°C]	-25...80
Pressure rating [bar]	600
Min. bursting pressure [bar]	1000
Type of pressure	relative pressure

# PN3020



## Pressure sensor with display

PN-400-SBR14-KFPKG/US/ IV

Electrical data	
Operating voltage [V]	20...30 DC
Current consumption [mA]	< 60
Min. insulation resistance [MΩ]	100; (500 V DC)
Protection class	III
Reverse polarity protection	yes
Power-on delay time [s]	0.2
Integrated watchdog	yes
Inputs / outputs	
Number of inputs and outputs	Number of digital outputs: 1; Number of analogue outputs: 1
Outputs	
Total number of outputs	2
Output signal	switching signal; analogue signal; (configurable)
Electrical design	PNP
Number of digital outputs	1
Max. voltage drop switching output DC [V]	2
Permanent current rating of switching output DC [mA]	250
Number of analogue outputs	1
Analogue current output [mA]	4...20
Max. load [Ω]	500
Short-circuit protection	yes
Type of short-circuit protection	pulsed
Overload protection	yes
Measuring/setting range	
Measuring range [bar]	0...400
Set point SP [bar]	4...400
Reset point rP [bar]	2...398
In steps of [bar]	2
Accuracy / deviations	
Switch point accuracy [% of the final value]	< ± 1,5
Repeatability [% of the final value]	< ± 0,25; (with temperature fluctuations < 10 K)
Characteristics deviation [% of the final value]	< ± 1,0
Temperature drift per 10 K	< ± 0.3

# PN3020



## Pressure sensor with display

PN-400-SBR14-KFPGK/US/ IV

Response times										
Switching frequency for a given set response time of one output	\$Ansprechzeit (dAP) [ms]	3	6	10	17	30	60	125	250	500
	\$Schaltfrequenz [Hz]	170	80	50	30	16	8	4	2	1
Response time [ms]	at rectangular pressure characteristic; switch point (SPx) = 70 %; reset point (rPx) = 30 %									
Delay time programmable dS, dr [s]	0, 0,2,...10, 11,...50									
Max. response time analogue output [ms]	3									

Software / programming	
Adjustment of the switch point	programming button
Parameter setting options	hysteresis / window; normally open / normally closed; switch-on/switch-off delay; Damping

Operating conditions	
Ambient temperature [°C]	-25...80
Storage temperature [°C]	-40...100
Protection	IP 67

Tests / approvals		
EMC	EN 61000-4-2 ESD	4 kV CD / 8 kV AD
	EN 61000-4-3 HF radiated	10 V/m
	EN 61000-4-4 Burst	2 kV
	EN 61000-4-6 HF conducted	10 V
Shock resistance	DIN IEC 68-2-27	50 g (11 ms)
Vibration resistance	DIN IEC 68-2-6	20 g (10...2000 Hz)

Mechanical data	
Materials	EPDM/X; FKM; PA; PBT; PC; stainless steel (1.4301 / 304)
Materials (wetted parts)	stainless steel (1.4305 / 303); ceramics; FKM
Min. pressure cycles	100 million
Process connection	threaded connection G 1/4 internal thread

Displays / operating elements		
Display	switching status	LED, red
	function display	7-segment LED display
	measured values	7-segment LED display

Remarks	
Pack quantity	1 pcs.

### Electrical connection

Connector: 1 x M12; Contacts: gold-plated



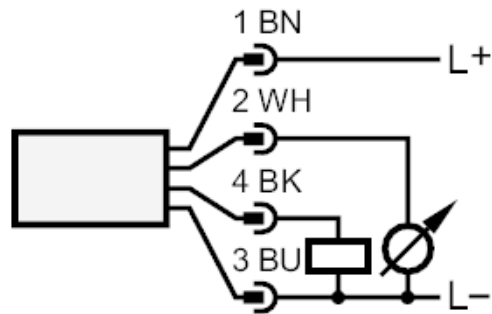
# PN3020



## Pressure sensor with display

PN-400-SBR14-KFPKG/US/ IV

### Connection



Article no longer available - archive entry

replaced by: PN3000