

PC3562

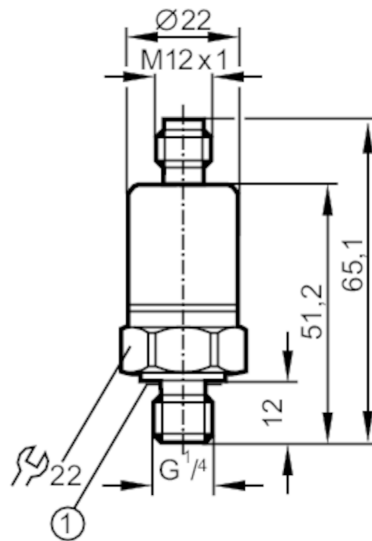


Pressure transmitter

PT-060-SBG14-A-ZVG/US/ IW

Article no longer available - archive entry

Alternative article: PT5423 When selecting an alternative article and accessories please note that technical data may differ! – When selecting an alternative article and accessories please note that technical data may differ! – Discontinuation date: 31.03.2016



1 Sealing
Tightening torque 25 Nm



Application	
Application	for industrial applications
Media	liquids and gases
Medium temperature [°C]	-25...90
Pressure rating [bar]	200
Min. bursting pressure [bar]	1000
Type of pressure	relative pressure
Electrical data	
Operating voltage [V]	8.5...36 DC
Min. insulation resistance [MΩ]	100; (500 V DC)
Protection class	III
Reverse polarity protection	yes
Inputs / outputs	
Number of inputs and outputs	Number of analogue outputs: 1
Outputs	
Total number of outputs	1
Output signal	analogue signal
Number of analogue outputs	1
Analogue current output [mA]	4...20
Max. load [Ω]	775; (U _b = 24 V; (U _b - 8,5 V) / 20 mA)

PC3562



Pressure transmitter

PT-060-SBG14-A-ZVG/US/ IW

Measuring/setting range		
Measuring range [bar]	0...60	
Accuracy / deviations		
Repeatability [% of the span]	$< \pm 0,15$; (with temperature fluctuations < 10 K)	
Characteristics deviation [% of the span]	$< \pm 2,0$; (incl. drift when overtightened, zero point and span error)	
Linearity deviation [% of the span]	$< \pm 0,25$ (BFSL) / $< \pm 0,5$ (LS)	
Hysteresis deviation [% of the span]	$< \pm 0,2$	
Long-term stability [% of the span]	$< \pm 0,05$; (per 6 months)	
Temperature coefficient zero point [% of the span / 10 K]	$< \pm 0,15$; (-25...90 °C)	
Temperature coefficient span [% of the span / 10 K]	$< \pm 0,2$; (-25...90 °C)	
Response times		
Step response time analogue output [ms]	3	
Operating conditions		
Ambient temperature [°C]	-25...90	
Storage temperature [°C]	-40...100	
Protection	IP 67; IP 69K	
Tests / approvals		
EMC	EN 61000-4-2 ESD	4 kV CD / 8 kV AD
	EN 61000-4-3 HF radiated	10 V/m
	EN 61000-4-4 Burst	4 kV coupling clamp
	EN 61000-4-5 Surge	1 kV signal for DC units
	EN 61000-4-6 HF conducted	10 V
Shock resistance	DIN IEC 68-2-27	50 g (11 ms)
Vibration resistance	DIN IEC 68-2-6	20 g (10...2000 Hz)
Mechanical data		
Weight [g]	73.4	
Materials	stainless steel (1.4404 / 316L); PA	
Materials (wetted parts)	stainless steel (1.4404 / 316L); Sealing: FKM	
Min. pressure cycles	50 million	
Process connection	threaded connection G 1/4 external thread	
Remarks		
Remarks	BFSL = Best Fit Straight Line LS = limit value setting	
Notes	discontinued article	
Pack quantity	1 pcs.	
Electrical connection		
Connector: 1 x M12		

PC3562

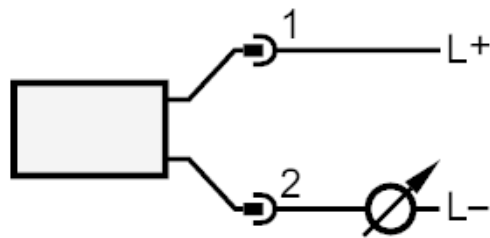


Pressure transmitter

PT-060-SBG14-A-ZVG/US/ IW



Connection



Article no longer available - archive entry

Alternative article: PT5423 When selecting an alternative article and accessories please note that technical data may differ! – When selecting an alternative article and accessories please note that technical data may differ! – Discontinuation date: 31.03.2016