

OT5028

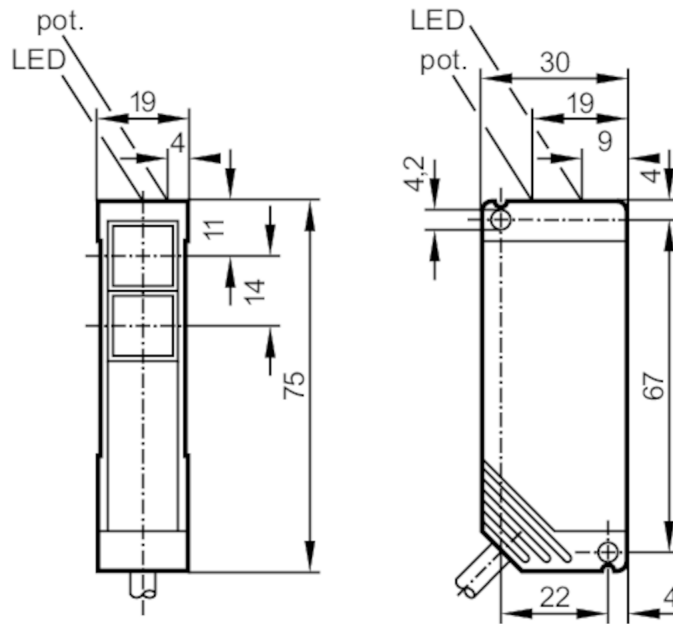


Through-beam sensor receiver

OPE-FPKG/6M

Article no longer available - archive entry

Alternative article: OT5009 When selecting an alternative article and accessories please note that technical data may differ! – When selecting an alternative article and accessories please note that technical data may differ!



1 potentiometer receiver in lower lens



Product characteristics

Type of light	infrared light
Housing	rectangular
Dimensions [mm]	75 x 19 x 30

Application

Function principle	Through-beam sensor
--------------------	---------------------

Electrical data

Operating voltage [V]	10...55 DC
Current consumption [mA]	30; ((24 V))
Protection class	II
Reverse polarity protection	yes
Type of light	infrared light
Wave length [nm]	880

OT5028



Through-beam sensor receiver

OTE-FPKG/6M

Outputs		
Electrical design		PNP
Output function		light-on/dark-on mode; (parameterisable)
Max. voltage drop switching output DC	[V]	2.5
Permanent current rating of switching output DC	[mA]	250
Switching frequency DC	[Hz]	150
Short-circuit protection		yes
Type of short-circuit protection		pulsed
Overload protection		yes
Detection zone		
Transmitter / receiver		receiver
Range	[m]	< 10
Range adjustable		yes
Operating conditions		
Ambient temperature	[°C]	-25...60
Protection		IP 67
Tests / approvals		
EMC	EN 60947-5-2	class B
	EN 55011	
MTTF	[years]	573
Mechanical data		
Housing		rectangular
Dimensions	[mm]	75 x 19 x 30
Materials		PBT
Lens material		PMMA
Displays / operating elements		
Display	switching status	1 x LED, yellow
	operation	1 x LED, green
Accessories		
Accessories (supplied)		Angle bracket: 1 x, E20441 screwdrivers
Remarks		
Pack quantity		1 pcs.

OT5028



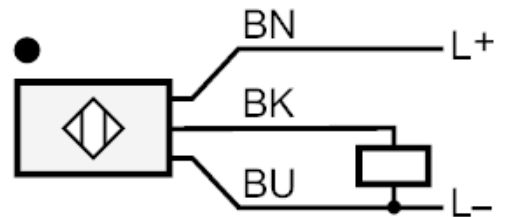
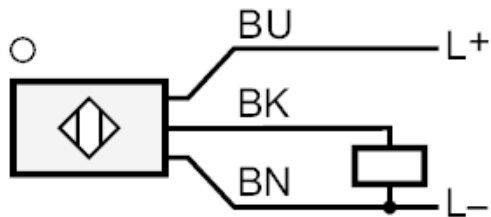
Through-beam sensor receiver

OTE-FPKG/6M

Electrical connection

Cable: 6 m, PVC; 3 x 0.34 mm²

Connection



Core colours :

BN = brown
BU = blue
BK = black

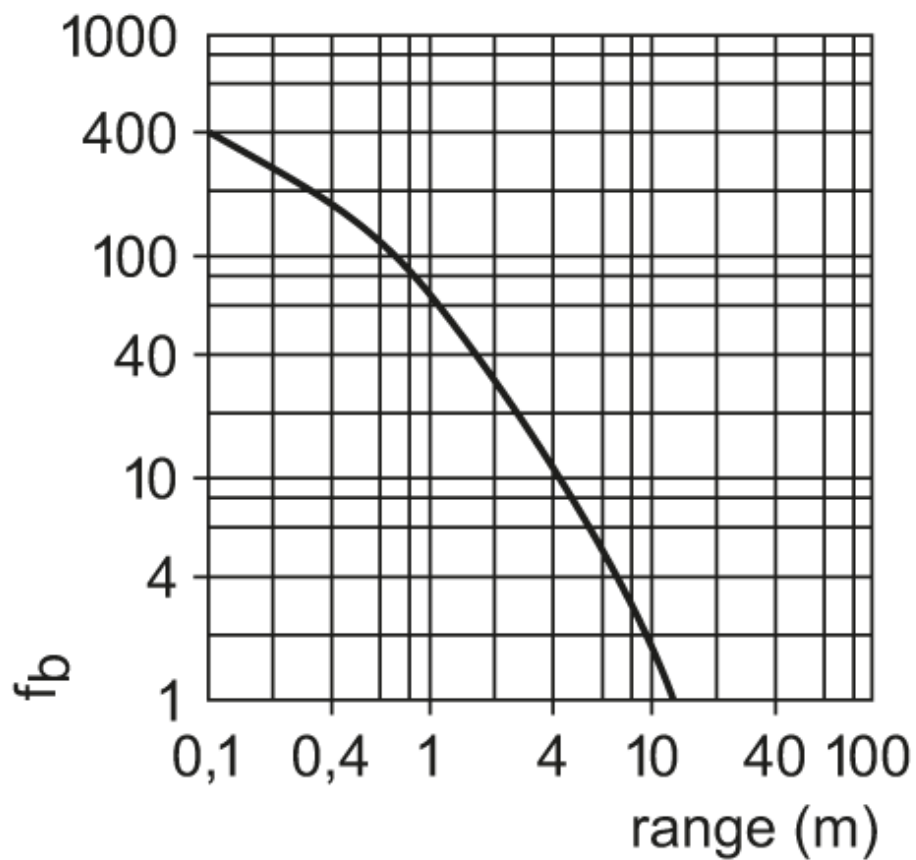


Through-beam sensor receiver

OTE-FPKG/6M

Diagrams and graphs

excess gain graph



Article no longer available - archive entry

Alternative article: OT5009 When selecting an alternative article and accessories please note that technical data may differ! – When selecting an alternative article and accessories please note that technical data may differ!