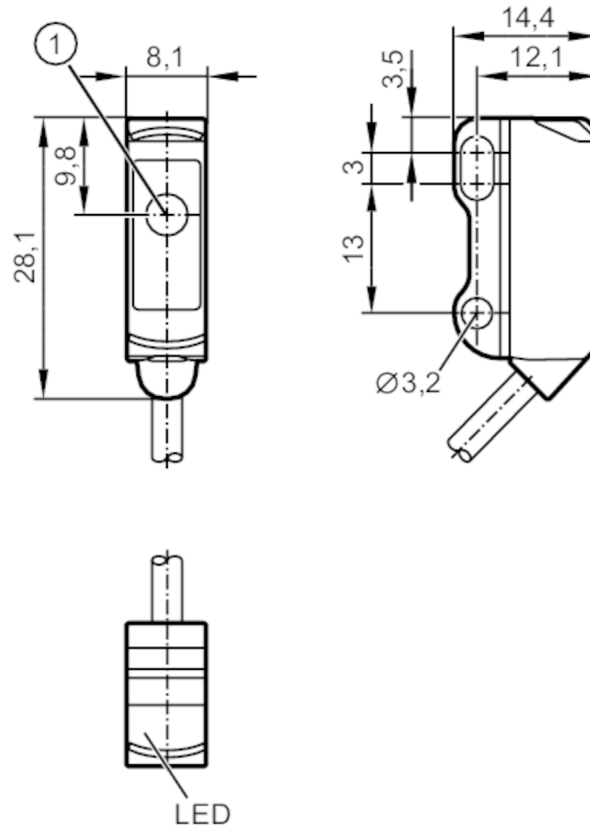


O8S200



Through-beam sensor transmitter

O8S-00KG/2,0M



1: light emission



Product characteristics

Type of light	red light
Housing	rectangular
Dimensions [mm]	28.1 x 8.1 x 14.4

Application

Function principle	Through-beam sensor
--------------------	---------------------

Electrical data

Operating voltage [V]	10...30 DC
Current consumption [mA]	12; ((24 V))
Protection class	III
Reverse polarity protection	yes
Type of light	red light
Wave length [nm]	633

Detection zone

Transmitter / receiver	transmitter
Range [m]	< 3
Max. light spot diameter [mm]	200
Light spot dimensions refer to	at maximum range

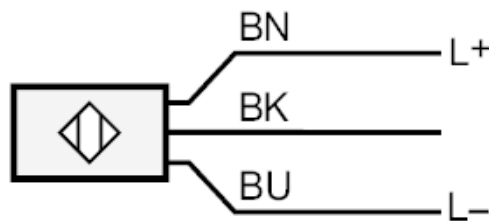
O8S200



Through-beam sensor transmitter

O8S-OOKG/2,0M

Operating conditions		
Ambient temperature	[°C]	-25...60
Protection		IP 65; IP 67
Tests / approvals		
EMC		EN 60947-5-2
MTTF	[years]	2912
Mechanical data		
Weight	[g]	37.2
Housing		rectangular
Dimensions	[mm]	28.1 x 8.1 x 14.4
Materials		housing: ABS; stainless steel (1.4404 / 316L)
Lens material		PMMA
Lens alignment		side lens
Displays / operating elements		
Display	switching status	1 x LED, yellow
	operation	1 x LED, green
Remarks		
Pack quantity		1 pcs.
Electrical connection		
Cable: 2 m, PVC, black, Ø 2.9 mm; 2 x 0.08 mm ²		
Connection		



	Core colours
BN	brown
BK	black
BU	blue

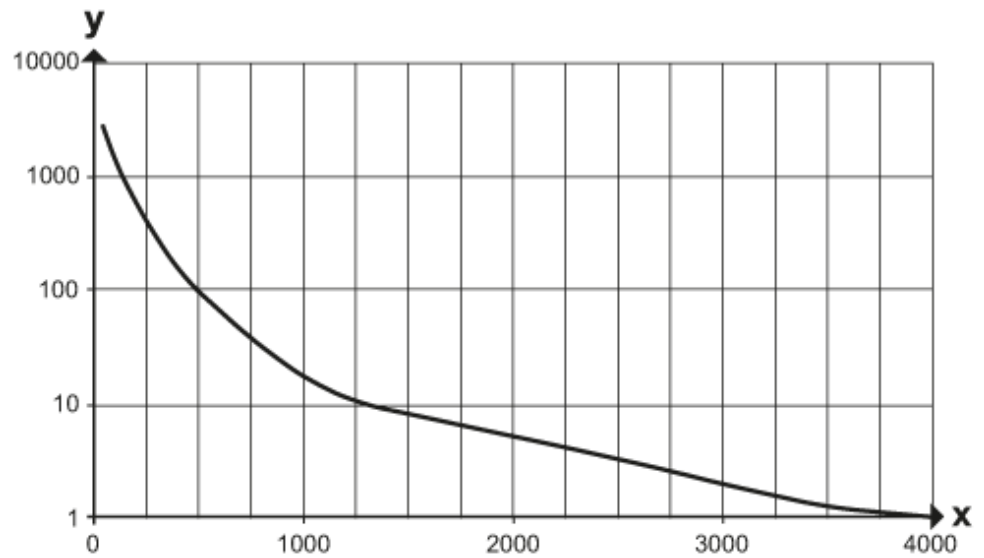


Through-beam sensor transmitter

O8S-00KG/2,0M

Diagrams and graphs

excess gain graph



x: distance [mm]

y: excess gain factor