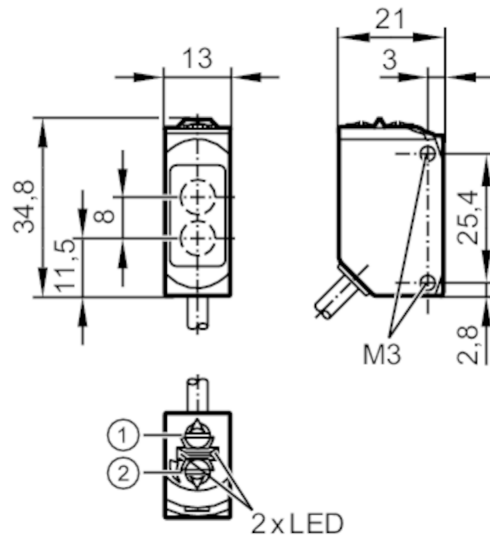


# O6P403



## Retro-reflective sensor

O6P-FNKG/5M



- 1 output function switch
  - 2 potentiometer sensitivity
- receiver in upper lens  
transmitter in lower lens



### Application

Function principle	Retro-reflective sensor
Application	suited for use in the machine tool industry

### Electrical data

Operating voltage [V]	10...30 DC
Current consumption [mA]	12; ((24 V))
Protection class	III
Reverse polarity protection	yes
Type of light	red light
Wave length [nm]	633

### Outputs

Electrical design	NPN
Output function	light-on/dark-on mode; (selectable)
Max. voltage drop switching output DC [V]	2.5
Permanent current rating of switching output DC [mA]	100
Switching frequency DC [Hz]	1000
Short-circuit protection	yes
Type of short-circuit protection	pulsed

# O6P403



## Retro-reflective sensor

O6P-FNKG/5M

Detection zone		
Range referred to prismatic reflector [m]	0.05...5; (Prismatic reflector Ø 80 E20005)	
Range adjustable	yes	
Max. light spot diameter [mm]	150	
Light spot dimensions refer to	at maximum range	
Polarisation filter available	yes	
Operating conditions		
Ambient temperature [°C]	-25...60	
Protection	IP 65; IP 67; IP 68	
Tests / approvals		
EMC	EN 60947-5-2	
MTTF [years]	895	
UL approval	UL Approval no.	E018
Mechanical data		
Weight [g]	133.6	
Housing	rectangular	
Dimensions [mm]	34.8 x 13 x 21	
Materials	housing: stainless steel (1.4404 / 316L); plastics: PPSU; Sealing: FKM	
Lens material	PMMA	
Lens alignment	side lens	
Displays / operating elements		
Display	switching status	1 x LED, yellow
	operation	1 x LED, green
Remarks		
Remarks	operating voltage "supply class 2" according to cULus	
Pack quantity	1 pcs.	

# O6P403



## Retro-reflective sensor

O6P-FNKG/5M

### Electrical connection

Cable: 5 m, PUR; 3 x 0.25 mm<sup>2</sup>

### Connection

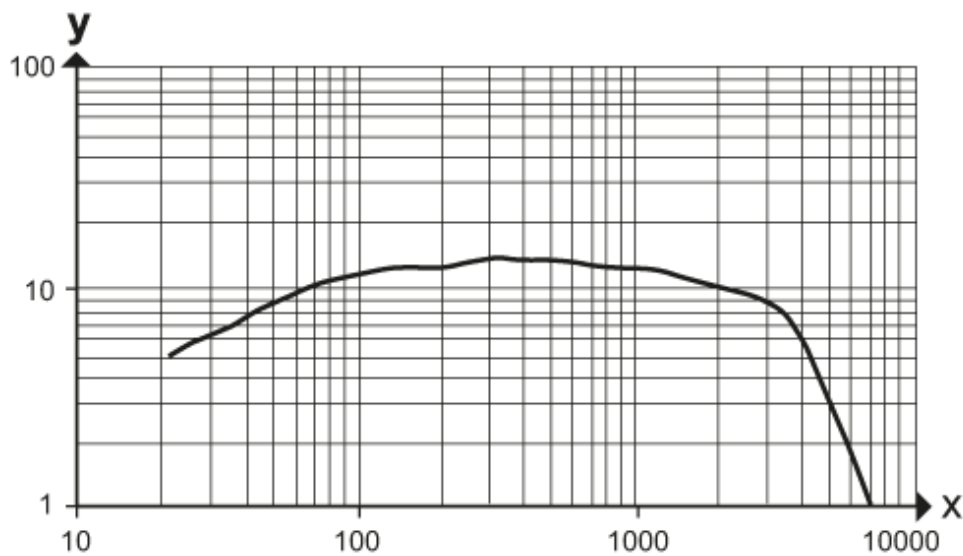


Core colours :

BN = brown  
BK = black  
BU = blue

### Diagrams and graphs

excess gain graph



x: distance [mm]

y: