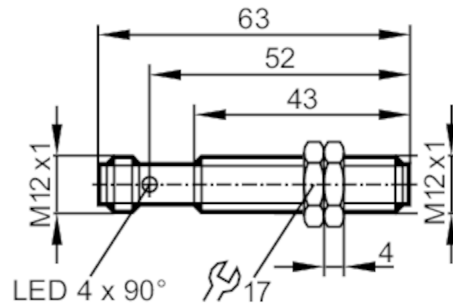


# JAT201



## Diffuse reflection sensor

AFK3050BBPKG/M/V4A/US-104



### Product characteristics

Dimensions [mm] M12 x 1 / L = 63

### Operating conditions

Ambient temperature [°C] 0...100

Protection IP 65; IP 67; IP 68; IP 69K

### Tests / approvals

EMC	EN 61000-4-2 ESD	4 kV CD / 8 kV AD
	EN 61000-4-3 HF radiated	10 V/m (80...1000 MHz)
	EN 61000-4-4 Burst	2 kV
	EN 61000-4-5 Surge	0,5 kV
	EN 61000-4-6 HF conducted	10 V (0,15...80 MHz)
MTTF [years]	EN 55011	class B
MTTF [years]		1048

### Mechanical data

Weight [g] 35

Dimensions [mm] M12 x 1 / L = 63

Thread designation M12 x 1

### Remarks

Pack quantity 1 pcs.

### Electrical connection - plug

Connector: 1 x M12

