

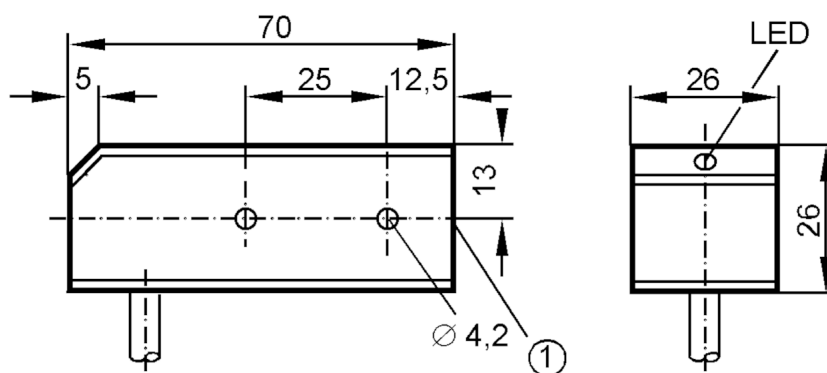
IO5004



Inductive sensor

IO-2010-ARKG/ 6mPUR

Article no longer available - archive entry



1 Sensing face



Electrical data

Operating voltage [V]	10...55 DC
Reverse polarity protection	yes

Outputs

Electrical design	PNP/NPN
Output function	normally open
Max. voltage drop switching output DC [V]	6.5
Minimum load current [mA]	5
Max. leakage current [mA]	0.6
Permanent current rating of switching output DC [mA]	100
Switching frequency DC [Hz]	100
Short-circuit protection	yes
Type of short-circuit protection	pulsed
Overload protection	yes

Detection zone

Sensing range [mm]	10
Real sensing range S_r [mm]	$10 \pm 10 \%$
Operating distance [mm]	0...8.1

IO5004



Inductive sensor

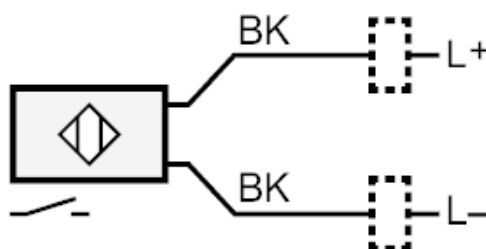
IO-2010-ARKG/ 6mPUR

Accuracy / deviations		
Correction factor	steel: 1 / stainless steel: 0.7 / brass: 0.4 / aluminium: 0.4 / copper: 0.3	
Hysteresis [% of Sr]	1...15	
Switch point drift [% of Sr]	-10...10	
Operating conditions		
Ambient temperature [°C]	-25...80	
Protection	IP 68	
Tests / approvals		
EMC	EN 60947-5-2	
	EN 55011	class B
Mechanical data		
Housing	rectangular	
Mounting	flush mountable	
Dimensions [mm]	26 x 26 x 70	
Materials	PBT	
Displays / operating elements		
Display	switching status	1 x LED, yellow
Remarks		
Pack quantity	1 pcs.	

Electrical connection

Cable: 6 m, PUR; 2 x 0.5 mm²

Connection



Core colours :

BK = black

Article no longer available - archive entry