

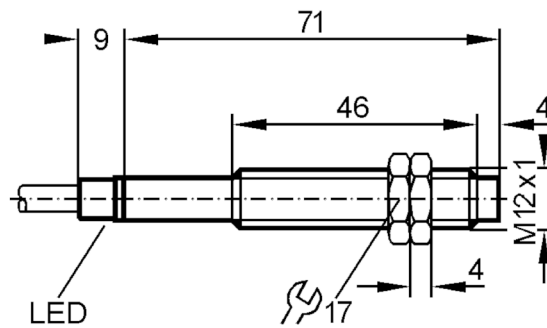
IF4008



Inductive sensor

IFA2004-ABOA/6M

Article no longer available - archive entry



Electrical data

Operating voltage [V]	20...140 AC/DC
Reverse polarity protection	no

Outputs

Output function	normally open
Max. voltage drop switching output DC [V]	7.5
Max. voltage drop switching output AC [V]	8
Minimum load current [mA]	5
Max. leakage current [mA]	0.8
Permanent current rating of switching output AC [mA]	200; (300 (...50 °C))
Permanent current rating of switching output DC [mA]	100
Short-time current rating of switching output [mA]	1500; (20 ms / 0,5 Hz)
Switching frequency AC [Hz]	25
Switching frequency DC [Hz]	250
Short-circuit protection	no
Overload protection	no

Detection zone

Sensing range [mm]	4
Real sensing range S_r [mm]	$4 \pm 10 \%$
Operating distance [mm]	0...3.25

IF4008

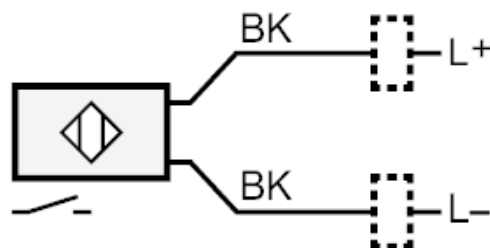


Inductive sensor

IFA2004-ABOA/6M

Accuracy / deviations		
Correction factor	steel: 1 / stainless steel: 0.7 / brass: 0.4 / aluminium: 0.4 / copper: 0.3	
Hysteresis [% of Sr]	3...15	
Switch point drift [% of Sr]	-10...10	
Operating conditions		
Ambient temperature [°C]	-25...80	
Protection	IP 67	
Tests / approvals		
EMC	EN 60947-5-2	
	EN 55011	class B
Mechanical data		
Housing	threaded type	
Mounting	non-flush mountable	
Dimensions [mm]	M12 x 1	
Thread designation	M12 x 1	
Materials	PBT; stainless steel (1.4404 / 316L)	
Displays / operating elements		
Display	switching status	1 x LED, yellow
Accessories		
Accessories (supplied)	lock nuts: 2	
Remarks		
Pack quantity	1 pcs.	
Electrical connection		
Cable: 6 m, PVC; 2 x 0.34 mm ²		

Connection



Core colours :

BK = black

Article no longer available - archive entry