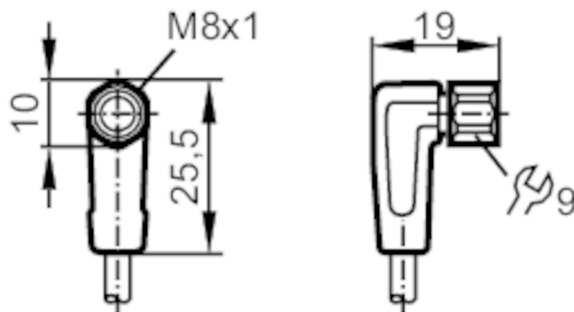


EVF138



Connecting cable with socket

ADOAF040VAS0002P04



Application		
Special feature	Free from silicone; Halogen-free; Gold-plated contacts; Drag chain suitability	
Application	hygienic and wet areas in the food industry	
Free from silicone	yes	
Electrical data		
Operating voltage [V]	< 50 AC / < 60 DC; (cULus: 30 AC / 30 DC)	
Protection class	III	
Max. current load total [A]	3	
Operating conditions		
Ambient temperature [°C]	-25...80	
Ambient temperature (moving) [°C]	5...80	
Protection	IP 65; IP 67; IP 68; IP 69K	
Tests / approvals		
UL approval	voltage supply	Class 2

EVF138



Connecting cable with socket

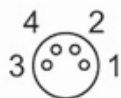
ADOAF040VAS0002P04

Mechanical data		
Weight [g]	71.8	
Dimensions [mm]	19 x 10 x 25.5	
Materials	housing: PP grey; Sealing: EPDM	
Material nut	stainless steel (1.4404 / 316L)	
Drag chain suitability	yes	
Drag chain suitability	bending radius for flexible use	min. 10 x cable diameter
	travel speed	max. 3.3 m/s for a horizontal travel length of 5 m and max. acceleration of 5 m/s ²
	bending cycles	> 1 Mio.
	torsional strain	± 180 °/m

Remarks	
Pack quantity	1 pcs.

Electrical connection
Cable: 2 m, MPPE, Halogen-free, grey, Ø 4.9 mm; 4 x 0.34 mm² (42 x Ø 0.1 mm)

Electrical connection - socket
Connector: 1 x M8, angled; coding: A; Locking: stainless steel (1.4404 / 316L); Contacts: gold-plated; Tightening torque: 0.3...0.5 Nm



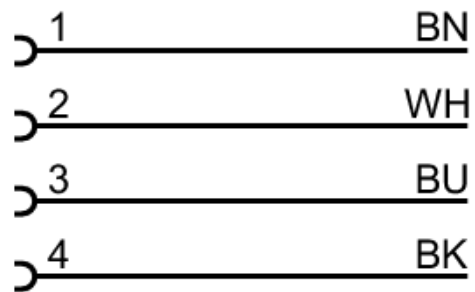
EVF138



Connecting cable with socket

ADOAF040VAS0002P04

Connection



Core colours :

BK =	black
BN =	brown
BU =	blue
WH =	white